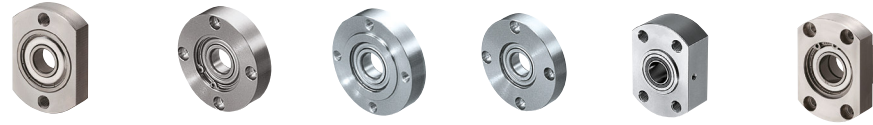


Bearings with Housings / Bearings

Bearings with Housings Bearing



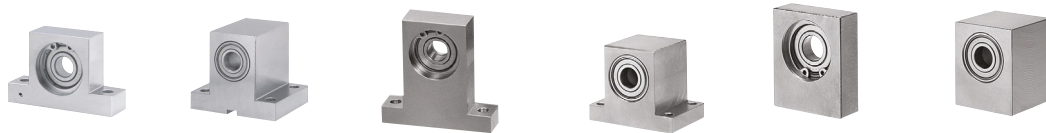
Product Name	Bearings with Housings - Space Saving	Retained	Pilot, Retained	Non-Retained	Thrust Bearings	Short Double Bearings, Retained
Page	930	931	933	935	937	938



Product Name	Double Bearings, Retained, L Selectable/Configurable	Double Bearings, Non-Retained, L Selectable/Configurable	Double Bearings with Pilot, Retained, L Selectable/Configurable	Double Bearings with Pilot, Non-Retained, L Selectable/Configurable	Double Bearings with Long Pilot, Non-Retained, Configurable
Page	939-942	943-946	947-950	951-954	955



Product Name	Bearings with Housings - Low Dust Generation Grease Filled - Single Bearings / Double Bearings	T-Shaped Extruded Machined	T-Shaped	T-Shaped Double Bearings	Bearings with Housings - L-Shaped	T-Shaped Short Double
Page	957-958	960	961	963	965	966



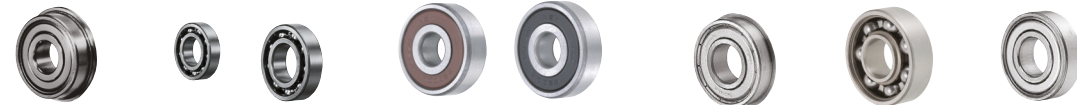
Product Name	Bearings with Housings, with Positioning Groove - T-Shaped	Bearings with Housings, with Positioning Groove	Bearings with Housings - Low Dust Generation Grease Filled	Low Dust Generation Grease Filled - T-Shaped Double	Bottom Mount, Height Selectable/Configurable	Bottom Mount, Double Bearings, Height Selectable/Configurable
Page	967	968	969	970	971	972



Product Name	Bearings with Housings - Blocks	Block Double Bearings	Front Mount	Bearings with Housings - Outer Ring Captured	Outer Ring Captured, Pilot	Outer Ring Captured, T-Shaped
Page	973	974	975, 976	977	979	980



Product Name	Angular Contact Bearings with Housings	Small Ball Bearings - Double Shielded	Double Shielded, C-Value	Deep Groove Ball Bearings - Double Shielded	Double Shielded, C-Value	Small Deep Groove Ball Bearings with Flange - Double Shielded
Page	981-986	989, 993	990, 994	991, 995	992, 996	997, 999



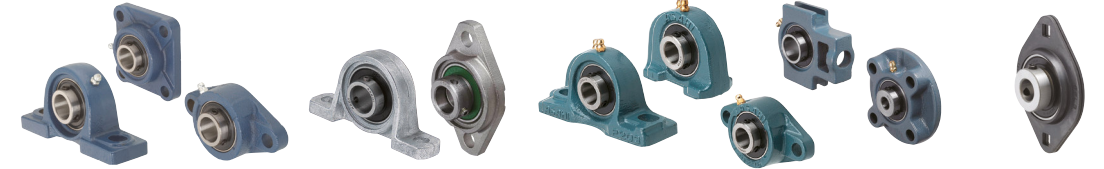
Product Name	Small Deep Groove Ball Bearings with Flange, C-Value	Open	Non-contact Sealed / Contact Sealed	Double Shielded, Retained	Deep Groove Ball Bearings - Single Shielded	Double Shielded with C3 Clearance
Page	998, 1000	1001, 1002	1003, 1004	1005, 1006	1007	1008



Product Name	Low Dust Generation Grease Filled Ball Bearings	Ball Bearings for Special Environment - EN 14001 Equiv.	Ball Bearings for Special Environment - Non-Grease, Non-Oil	Plastic Ball Bearings	Heat-Resistant Grease Filled Ball Bearings	Bearings with Set Screws	Thrust Ball Bearings
Page	1009, 1010	1011	1011	1012	1013, 1014	1014	1015



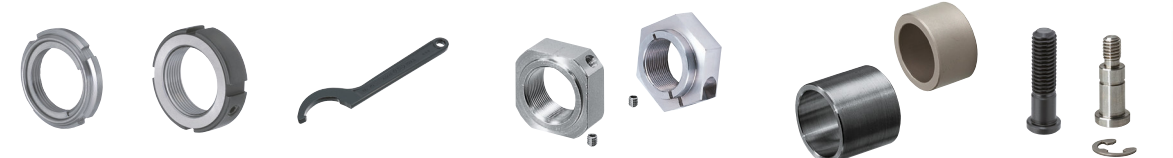
Product Name	Thrust Needle Roller Bearings	Needle Roller Bearings	One-Way Clutches	Angular Contact Ball Bearings	Grease Seal Rings	Self-Aligning Ball Bearings	Stainless Steel Deep Groove Bearings
Page	1016	1017	1018	1019, 1020	1020	1021	1022



Product Name	Ball Bearing Units (Economy) - Cast Iron	Ball Bearing Units	Ball Bearing Units - Cast Iron	Steel Plate Ball Bearing Units
Page	1027, 1028	1025	1026-1028	1029



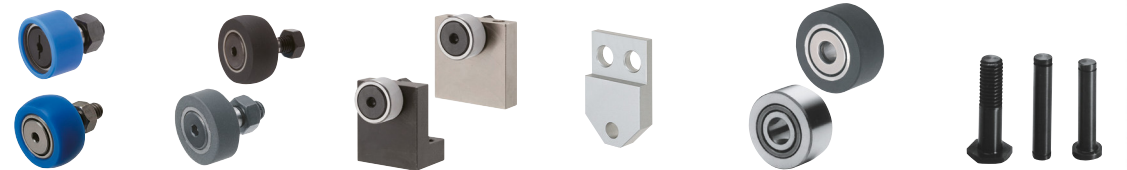
Product Name	Shaft End Caps	Steel Plate Ball Bearing Units	Bearing Cover Plates - Standard / With Seal	Bearing Cover Plates - Standard	Bearing Nuts / Toothed Lock Washers for Bearings	Hard Locking Bearing Nuts
Page	1029	1030	1031	1032	1033	1034



Product Name	Fine U Nuts®	Precision Lock Nuts	Hook Spanners for Bearing Nuts	Bearing Lock Nuts - Square / Hexagon	Bearing Spacers	Bearing Shaft Screws
Page	1034	1035	1035	1036	1037	1039, 1040



Product Name	Hex Socket on Head	Hex Socket on Head and Thread	Straight Slot	Cam Followers - With Tapped Hole for Grease Fitting	Guide Followers	Solid Eccentric Cam Followers	Miniature Cam Followers
Page	1043	1044	1045	1046	1047	1047	1048



Product Name	Plastic Cam Followers	Urethane Cam Followers	Cam Followers with Brackets	Brackets for Cam Followers	Roller Followers / Urethane Roller Followers	Roller Follower Pins
Page	1049	1051	1053	1054	1055, 1056	1056

Round Bearings with Housings - Overview

Bearings with Housings

Space Saving, Small Flanged

Features of Round Bearings with Housings

- Compared with Cast Iron, Pillow Blocks (P. 1027 to 1028), it is more suitable for areas requiring high precision in rotation.

Types of Bearings with Housings

Shape	Basic Shape	Retaining Ring	Features	Retained	No Retaining Ring
Intended Purposes			Prevents the bearings from falling off, and easy to handle	Thinner shape compared to the product with a retaining ring	
Single (No. of Bearings inserted: 1 pc.)	Standard		<ul style="list-style-type: none"> Use by retaining both ends of the shaft at two points Space saving type with smaller O.D. is also available 	Small Flanged P.930	P.930
				Standard P.931	P.935
				Thrust Bearings -	P.937
				Low Dust Generation P.957	P.957
Double (No. of Bearings inserted: 2 pcs.)	Pilot		<ul style="list-style-type: none"> Generally used for retaining the rotary shaft at several points The pilot shape is suitable for locating 	Standard P.933	-
				Low Dust Generation P.957	-
				Standard P.938	-
				Standard P.939 (L Selectable)	P.943 (L Selectable)
Double (No. of Bearings inserted: 2 pcs.)	Standard		<ul style="list-style-type: none"> Can be used in heavy load applications compared to the single type Useful for cantilever support (Overall length can be specified for L Configurable) 	Standard P.941 (L Configurable)	P.945 (L Configurable)
				Low Dust Generation P.958	P.958
				Standard P.947 (L Selectable)	P.951 (L Selectable)
				Standard P.949 (L Configurable)	P.953 (L Configurable)
Double (No. of Bearings inserted: 2 pcs.)	Pilot		<ul style="list-style-type: none"> Can be used in heavy load applications compared to the single type The pilot shape is suitable for locating (Overall length can be specified for L Configurable) 	Standard P.949 (L Configurable)	P.953 (L Configurable)
				Long -	P.955

Selection List for Outer Ring Captured Bearings with Housings

Suitable for relatively high-loading uses such as heavy load / high-speed applications.

Shape	Shape	Page
Double		P.978
Double Pilot		P.979
T-Shaped Double		P.980

Selection List of Angular Contact Bearings with Housings

Suitable for heavy load applications with thrust loads.

Shape	Shape	Page
Short Double		P.982
Double		P.983
Double Pilot		P.985

Features: By changing the conventional counterbored holes to tapped holes, this product has 4 to 13mm smaller flange dimensions which makes it suitable for use in limited spaces.

RoHS

Type		Material		Surface Treatment	
Retained	Non-Retained	Bearing	Housing	Housing	
BGTAB	BGTNB	Steel	EN 1.1191 Equiv.	Black Oxide	
BGTCA	BGTN			Electroless Nickel Plating	
SBGTA	SBGTN			-	
		* Stainless Steel	EN 1.4301 Equiv.		

Bearing Accuracy: JIS B 1514 Class 0

6.3 / 1.6 / 1

* Bearings with Rubber Seals (VV and DD) are all made of steel.

Retained

Non-Retained

d3-17 2-M

d20-40 4-M

For Non-Retained Type, bearing may protrude 0.1 ~ 0.2mm due to negative tolerance of B dimension.

Type	Part Number		Seal	d	Dh7	Tolerance	B	H	W	T		dh	A	F	M (Coarse)
	Retained	Non-Retained								Retained	Non-Retained				
(Retained) BGTAB BGTCA SBGTA	623		ZZ Double Shielded	3	10	+0.015	4	25	13	9	6	7	18		M4
	624			4	13		5	28	15	10	7	9	21		
	605			5	14	+0.018	5	32	17	10	7	10	23		
	625			5	16		5	34	19	10	7	12	25		
	606			6	17		6	35	20	11	8	13	26		
	626			6	19		6	37	22	11	8	15	28		
	608			7	22		7	40	26	12	9	18	31		
	628			8	24		8	42	29	13	10	20	33		
	6900			6	22	+0.021	6	40	26	11	8	19	31		
	6000			8	26	0	8	44	31	13	10	22	35		
	6200			9	30		9	48	35	14	11	24	39		
	6901			6	24		6	42	28	11	8	21	33		
6001		8	28		8	46	33	13	10	24	37				
6201		10	32	+0.025	10	50	37	15	12	26	41				
6902		7	28	-0.021	7	49	34	12	9	25	39				
6002		9	32	+0.025	9	53	37	14	11	28	43				
6202		11	35	0	11	56	41	17	13	29	46				
6903		7	30	+0.021	7	51	35	12	9	27	41				
6003		10	35		10	56	41	16	12	31	46				
6203		12	40		12	61	47	18	14	34	51				
6904		9	37	+0.025	9	64	44	15	11	34	45				
6004		12	42		12	69	51	18	14	36	46				
6204		14	47		14	74	55	20	16	40	50				
6005		12	47		12	80	55	18	14	41	52				
6205		15	52		15	85	61	22	17	45	56				
6006		13	55	+0.030	13	88	63	20	15	48	59				
6206		16	62	0	16	95	71	23	18	55	65				
6007		14	62		14	95	71	21	16	55	65				
6008		15	68		15	101	79	23	17	60	65				

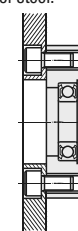
Check for available sizes in the price list.

*1 No. 623, 624, 605 and 606 are not available for VV (Non-contact Sealed).

*2 Bearings with Rubber Seals are all made of steel.



Part Number		
Type	Bearing	Seal
BGTCA	6000	ZZ
BGTAB	6902	VV
BGTN	606	DD



Alteration	Bearings, Retaining Rings Not Assembled
Code	NA
Spec.	Bearings and retaining rings are shipped unassembled to the housing.

Bearing No.	Seal	Unit Price					
		BGTAB	BGTCA	SBGTA	BGTNB	BGTN	SBGTN
623							
624							
605							
625							
606							
626							
608							
628							
6900							
6000							
6200							
6901							
6001							
6201							
6902							

Bearing No.	Seal	Unit Price					
		BGTAB	BGTCA	SBGTA	BGTNB	BGTN	SBGTN
6002							
6202							
6903							
6003							
6203							
6904							
6004							
6204							
6005							
6205							
6006							
6206							
6007							
6008							

The price of sealed VV and DD are the price shown in the table multiplied by 1.1.

Bearings with Housings

Retained



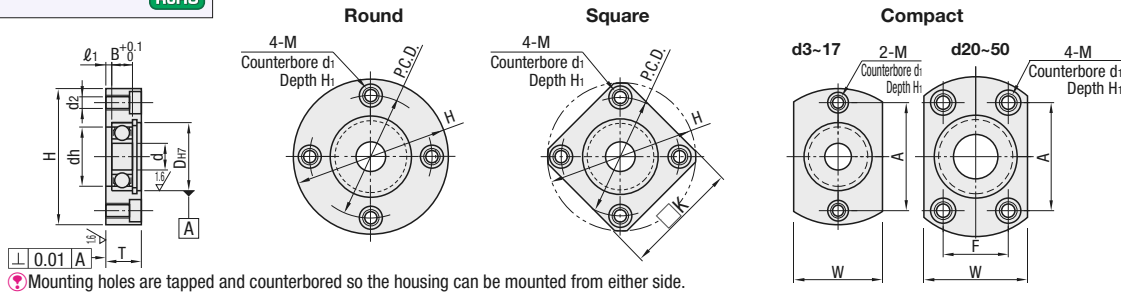
RoHS

Type			Material		Surface Treatment		Accessory
Round	Square	Compact	Bearing	Housing	Housing	Housing	Retaining Ring
BGRAB	BGSAB	BGCAB	Steel	EN 1.1191 Equiv.	Black Oxide	Spring Steel	
BGRA	BGSA	BGCA		Electroless Nickel Plating	EN 1.4301 Equiv.		
BARA	BASA	BACA	* Stainless Steel	Aluminum Alloy 2000 series	Clear Anodize	EN 1.4301 Equiv.	
SBARA	SBASA	SBACA		EN 1.4301 Equiv.			
SBGRA	SBGSA	SBGCA					

* Bearings with Rubber Seals (VV and DD) are all made of steel.

Bearing Accuracy: JIS B 1514 Class 0

6.3 / (1.6)



* Mounting holes are tapped and counterbored so the housing can be mounted from either side.

Part Number			d	D _{H7}	Tolerance	B	H	W	T	l ₁	dh	P.C.D.	K	A	F	M (Coarse) (d ₂)	d ₁	H ₁	
Type	Bearing No.	Seal																	
(Round)	623	ZZ Double Shielded	3	10	+0.015	4	33	16	9		7	24	27	24		M4 (3.3)	6.5	3.4	
	624		4	13		5	35	18	10		9	26	28	26					
	605		5	14	+0.018	5	36	20	10		10	26	30	26					
	625			16	0	5	38	22	10		12	28	31	28					
	606		6	17		6	39	23	11		13	29	32	29					
	626			19		6	41	25	11		15	31	34	31					
	698		8	19		6	41	25	11		15	31	34	31					
	608			22		7	45	29	12		18	35	36	35					
	628		10	24		8	47	32	13		20	37	37	37					
	6800			19	+0.021	5	41	25	10		15	31	34	31					
6900	12	22	0	6	45	29	11		19	35	36	35							
6000		26		8	50	34	13		22	40	39	40							
6200	15	30		9	54	38	14		24	44	42	44							
6801		21		5	44	29	10		17	34	35	34							
6901	17	24		6	48	31	11		21	38	38	38							
6001		28		8	52	36	13		24	42	40	42							
6201	20	32	+0.025	10	56	40	15		26	46	43	46							
6802		24	0	5	47	32	10		20	37	37	37							
6902	25	28		7	57	37	12	2	25	45	45	45							
6002		32	+0.025	9	60	40	14		28	48	46	48							
6202	30	35	0	11	64	44	17		29	52	49	52							
6903		30	+0.021	7	60	38	12		27	48	46	48							
6003	35	35		10	66	44	16		31	54	50	54							
6203		40		12	72	50	18		34	60	54	60							
6804	40	32		7	60	40	12		28	48	46	38	29						
6904		37		9	69	47	15		34	56	54	51	24						
6004	45	42	+0.025	12	77	54	18		36	64	59	56	32						
6204		47	0	14	81	58	20		40	68	62	59	34						
6805	50	37		7	69	47	13		34	56	54	51	24						
6905		42		9	77	54	15		36	64	59	56	32						
6005	55	47		12	88	58	18		41	72	67	63	36						
6205		52	+0.030	15	94	64	22		45	78	72	68	39						
6806	60	42	+0.025	7	77	54	13		36	64	59	56	32						
6906		47	0	9	88	58	15		41	72	67	63	36						
6006	65	55		13	96	66	20		48	80	73	70	40						
6206		62		16	104	74	23		55	88	79	77	44						
6007	70	62		14			21												
6207		72	+0.030	17	126	88	26	3	64	105	95	92	51						
6008	75	68	0	15	114	82	23	2	60	96	86	80	54						
6208		80		18	134	96	27												
6010	80	18		3	74	113													
6010		16		25															
6210	90	16		3	74	113													
6210		20	+0.035	20	147	110	31	4	83	126		104	72						

* Check for available sizes in the price list.

*1 No. 623, 624, 605 and 606 are not available for VV (Non-contact Sealed).

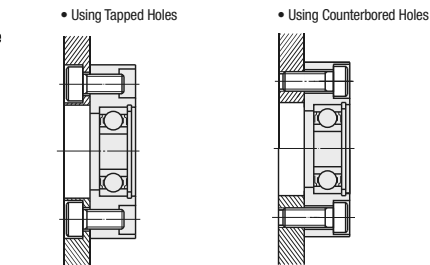
*2 Bearings with Rubber Seals are all made of steel.



Part Number		
Type	Bearing	Seal
BGRAB	6000	ZZ
BGSA	6900	DD

Bearing No.	Seal	Unit Price														
		Round			Square					Compact						
		BGRAB	BGRA	BARA	SBARA	SBGRA	BGSAB	BGSA	BASA	SBASA	SBGSA	BGCAB	BGCA	BACA	SBACA	SBGCA
623																
624																
605																
625																
606																
626																
698																
608																
628																
6800																
6900																
6000																
6200																
6801																
6901																
6001																
6201																
6802																
6902	ZZ (x1.0)															
6002																
6202	VV (x1.1)															
6903																
6003																
6203	DD (x1.1)															
6804																
6904																
6004																
6204																
6805																
6905																
6005																
6205																
6806																
6906																
6006																
6206																
6007																
6207																
6008																
6208																
6010																
6210																

* The price of sealed VV and DD are the price shown in the table multiplied by 1.1.

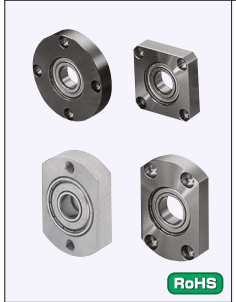


Alterations Part Number - (NA)
BGRAB6000VV - NA

Alteration	Bearings, Retaining Rings Not Assembled
Code	NA
Spec.	Bearings and retaining rings are shipped unassembled to the housing.

Bearings with Housings

Non-Retained

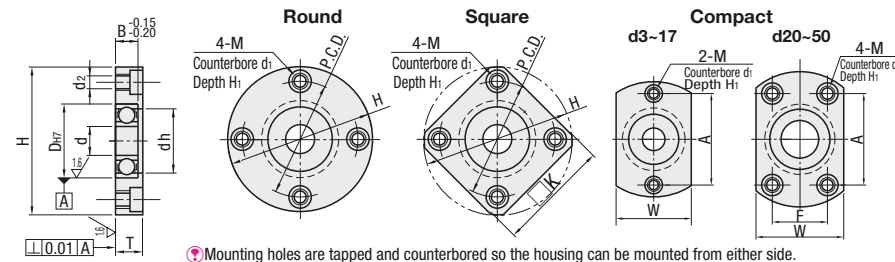


Type			Material		Surface Treatment	
Round	Square	Compact	Bearing	Housing	Bearing	Housing
BGRNB	BGSNB	BGCNB	Steel	EN 1.1191	Black Oxide	
BGRN	BGSN	BGCN		Aluminum Alloy 2000 series	Electroless Nickel Plating	
BARN	BASN	BACN	Stainless Steel	EN 1.4301 Equiv.	Clear Anodize	
SBARN	SBASN	SBACN			-	
SBGRN	SBGSN	SBGCN			-	

Bearing Accuracy: JIS B 1514 Class 0

6.3 / (1.6 /)

* Bearings with Rubber Seals (VV and DD) are all made of steel.



Mounting holes are tapped and counterbored so the housing can be mounted from either side.

Bearing may protrude 0.1 and 0.2mm due to negative tolerance of B dimension for holding bearing outer rings in place.

RoHS

Ordering Example

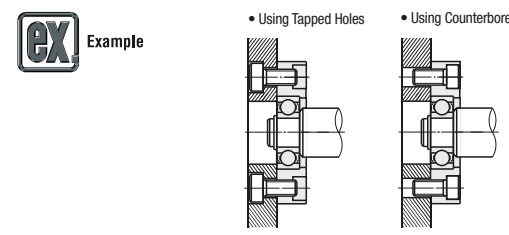
Part Number	Type	Bearing	Seal
BGCN	6000	ZZ	
BGSN	6203	DD	

Part Number		Seal	d	DH7	Tolerance	B	H	W	T	dh	P.C.D.	K	A	F	M (Coarse) (d2)	d1	H1
Type	Bearing No.																
(Round)	623	ZZ Double Shielded	3	10	+0.015	4	33	16	6	7	24	27	24		M4 (3.3)	6.5	3.4
	624																
	605																
	625																
	606																
	626																
	678																
	698																
	608																
	628																
	6700																
	6900																
	6000																
	6200																
	6701																
	6801																
	6901																
	6001																
	6201																
	6702																
(Square)	6802	VV Non-Contact Sealed Rubber Seal	15	28	+0.021	7	57	37	9	25	45	45	45		M6 (5.2)	9.5	5.4
	6902																
	6002																
	6202																
	6803																
	6903																
	6003																
	6203																
	6704																
	6904																
	6004																
	6204																
	6805																
	6905																
	6005																
	6205																
	6806																
	6906																
	6006																
	6206																
	6007																
	6207																
	6008																
	6208																
	6010																
	6210																
(Compact)	6003	DD Contact Sealed Rubber Seal	17	35	+0.021	10	66	44	12	31	54	50	54		M5 (4.3)	8	4.4
	6203																
	6704																
	6804																
	6904																
	6004																
	6204																
	6805																
	6905																
	6005																
	6205																
	6806																
	6906																
	6006																
	6206																
	6007																
	6207																
	6008																
	6208																
	6010																
	6210																
	6003	ZZ Double Shielded	20	27	+0.021	4	51	35	7.5	23	41	39	32	25	M5 (4.3)	8	4.4
	6203																
	6704																
	6804																
	6904																
	6004																
	6204																
	6805																
	6905																
	6005																
	6205																
	6806																
	6906																
	6006																
	6206																
	6007																
	6207																
	6008																
	6208																
	6010																
	6210																
	6003	ZZ Double Shielded	25	42	+0.025	7	69	47	11	34	56	54	51	24	M6 (5.2)	9.5	5.4
	6203																
	6704																
	6804																
	6904																
	6004																
	6204																
	6805																
	6905																
	6005																
	6205																
	6806																
	6906																
	6006																
	6206																
	6007																
	6207																
	6008																
	6208																
	6010																
	6210																
	6003	ZZ Double Shielded	30	47	+0.025	9	88	58	13	41	72	67	63	36	M8 (6.8)	11	6.5
	6203																
	6704																
	6804																
	6904																
	6004																
	6204																
	6805																
	6905																
	6005																
	6205																
	6806																
	6906																
	6006																
	6206																
	6007																
	6207																
	6008																
	6208																
	6010																
	6210																
	6003	ZZ Double Shielded	35	52	+0.030	15	94	64	17	45	78	72	68	39	M10 (8.5)	14	8.6
	6203																
	6704																
	6804																
	6904																
	6004																
	6204																
	6805																
	6905																
	6005																
	6205																
	6806																
	6906																
	6006																
	6206																
	6007																
	6207																
	6008																
	6208																
	6010																
	6210																
	6003	ZZ Double Shielded	40	68	+0.035	15	114	82	17	60	96	86	80	54	M12 (10.5)	17.5	11
	6203																
	6704																
	6804																
	6904																
	6004																
	6204																
	6805																
	6905																
	6005																
	6205																
	6806																
	6906																
	6006																
	6206																
	6007																
	6207																
	6008																
	6208																
	6010																
	6210																
	6003	ZZ Double Shielded	50	90	+0.035	20	147	110	24	83	126	-	104	72	M12 (10.5)	17.5	11
	6203																
	6704																
	6804																
	6904																
	6004																
	6204																
	6805																
	6905																
	6005																
	6205																
	6806																
	6906																
	6006																
	6206																
	6007																
	6207																
	6008																
	6208																
	6010																
	6210																

*1 No. 623, 624, 605, 606 and numbers starting with 67 are not available for VV (Non-contact Sealed).
*2 Bearings with Rubber Seals are all made of steel.


Bearing No.	Seal	Unit Price													
		Round				Square				Compact					
		BGRNB	BGRN	BARN	SBARN	SBGRN	BGSNB	BGSN	BASN	SBGSN	BGCNB	BGCN	BACN	SBACN	SBGCN
623															
624															
605															
625															
606															
626															
678															
698															
608															
628															
6700															
6900															
6000															
6200															
6701															
6801															
6901															
6001															
6201															
6702															
6802	ZZ (x1.0)														
6902															
6002	VV (x1.1)														
6202															
6803	DD (x1.1)														
6903															
6003															
6203															
6704															
6804															
6904															
6004															
6204															
6805															
6905															
6005															
6205															
6806															
6906															
6006															
6206															
6007															
6207															
6008															
6208															
6010															
6210															

The price of sealed VV and DD are the price shown in the table multiplied by 1.1.



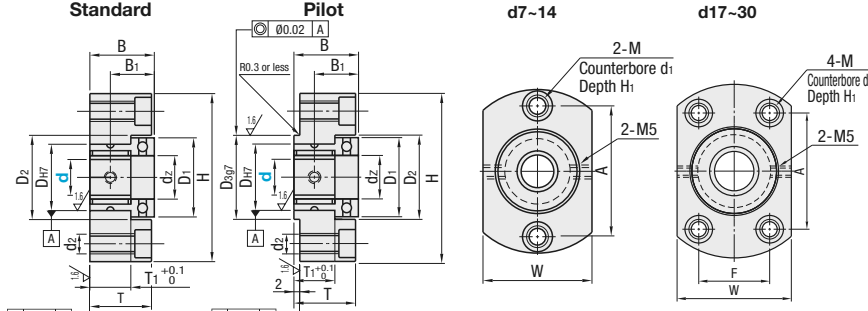
Bearings with Housings

Thrust Bearings



Type		Material	Surface Treatment	Accessory Set Screw
Standard	Pilot			
BGCSB	BGCTB	EN 1.1191 Equiv.	Black Oxide	EN 1.7220 Equiv. 2 pcs.
BGCS	BGCT	EN 1.1191 Equiv.	Electroless Nickel Plating	EN 1.4301 Equiv. 2 pcs.
SBGCS	-	EN 1.4301 Equiv.	-	-

⚠ Bearings are secured to housings with screws. Remove set screws before replenishing lubricant.



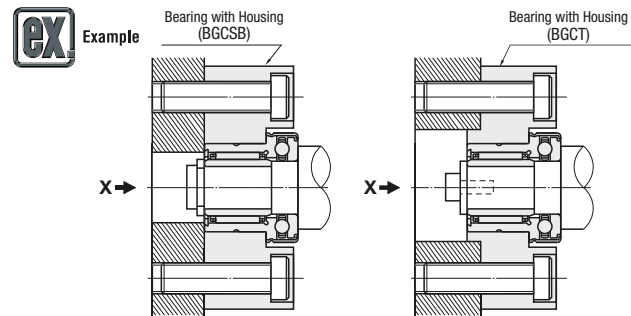
⚠ Mounting holes are tapped and counterbored so the housing can be mounted from either side.

Bearing Accuracy: JIS B 1514 Class 0

Part Number	Type	d	DH7	Tolerance	B	H	W	T	dz	D1	D2	D3g7	Tolerance	T1	B1	A	F	M (d2)	d1	H1	Bearing Used (P901)
BGCSB	BGCTB	9	21	23	56	40	12	27	29	26	43	NKXZ 9									
BGCS	BGCT	12	24	60	15	29	31	30	46	NKXZ12											
SBGCS	-	14	26	25	66	44	24	17	31	33	34	52	16	17	52	NKXZ14					
(Standard)	(Pilot)	17	30	+0.025 0	77	54	29	20	36	38	36	-0.009 -0.034	20	20.5	50	32	M10	14	8.6	NKXZ17	
BGCSB	BGCTB	20	37		88	58		25	43	45	45		36	NKXZ20							
BGCS	BGCT	25	42		94	64		30	48	50	50		39	NKXZ25							
SBGCS	-	30	47		96	66		35	53	55	54		40	NKXZ30							


d	Unit Price				
	Standard			Pilot	
	BGCSB	BGCS	SBGCS	BGCTB	BGCT
7					
9					
12					
14					
17					
20					
25					
30					

Ordering Example Part Number BGCSB20



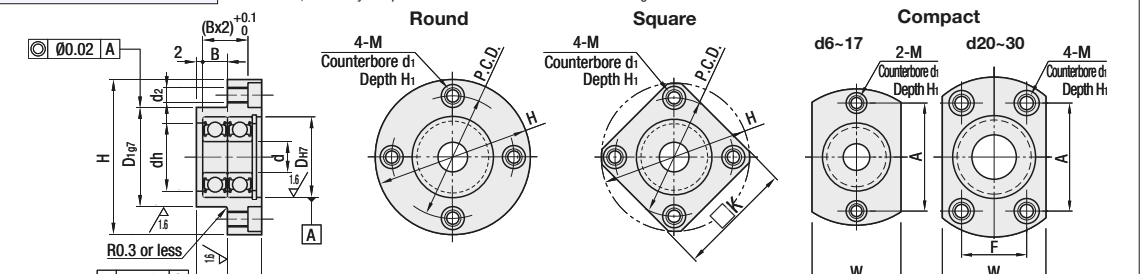
Bearings with Housings

Short Double Bearings, Retained



Type			Material		Surface Treatment
Round	Square	Compact	Bearing	Housing	Housing
BGREB	BGSEB	BGCEB	Steel	EN 1.1191 Equiv.	Black Oxide
BGRE	BGSE	BGCE	* Stainless Steel EN 1.4301 Equiv.	EN 1.4301 Equiv.	Electroless Nickel Plating
SBGRE	SBGSE	SBGCE			-

Bearing Accuracy: JIS B 1514 Class 0



⚠ Mounting holes are tapped and counterbored so the housing can be mounted from either side.

Type	Part Number		d	DH7	Tolerance	B	H	W	T	T1	dh	D1g7	Tolerance	P.C.D.	K	A	F	M (Coarse) (d2)	d1	H1	
	Bearing No.	Seal																			
(Round)	BGREB	606	6	17	+0.018	6	39	23	17	9	13	21	-0.007 -0.028	29	32	29	-	M5	8	4.4	
	BGSEB	608	8	22	+0.021 0	7	45	29	19	12	18	27		35	36	35					
	BGRE	6900	10	22		6	45	29	17	11	19	27		35	36	35					
	SBGRE	6000	10	26		8	50	34	21	13	22	32		-0.009	40	39					40
		6901	12	24		6	48	31	17	11	21	30		-0.007	38	38					38
		6001	12	28		8	52	36	21	13	24	34		-0.007	42	40					42
(Square)	BGSEB	6902	15	28		+0.025 0	9	60	40	23	14	28	38	-0.009 -0.034	45	45	45	-	M6	9.5	5.4
	BGSE	6002	15	32	7		60	38	19	12	27	36	48		46	48					
	SBGSE	6903	17	30	7		60	38	19	12	27	36	48		46	48					
		6003	17	35	10		66	44	26	16	31	42	54		50	54					
		6904	20	37	9		69	47	24	15	34	45	56		54	51	24				
		6004	20	42	12		77	54	30	18	36	50	64		59	56	32				
(Compact)	BGCEB	6005	25	47	+0.030	12	88	58	30	18	41	54	-0.010 -0.040	72	67	63	36	M10	14	8.6	
	BGCE	6004	25	47		13	96	66	33	20	48	62		80	73	70	40				
	SBGCE	6006	30	55		13	96	66	33	20	48	62		80	73	70	40				

⚠ Check for available sizes in the price list.

⚠ *1 No. 606 is not available for VV (Non-contact Sealed).

⚠ *2 Bearings with Rubber Seals are all made of steel.

Ordering Example Part Number BGRE 6000 ZZ BGSE 6003 VV

Alterations Part Number - (NA) BGRE6000VV - NA

Alteration	Bearings, Retaining Rings Not Assembled
Code	NA
Spec.	Bearings and retaining rings are shipped unassembled to the housing.

Bearing No.	Seal	Unit Price								
		Round			Square			Compact		
		BGREB	BGRE	SBGRE	BGSEB	BGSE	SBGSE	BGCEB	BGCE	SBGCE
606	ZZ (x1.0)									
608										
6900										
6000										
6901										
6001										
6902	VV (x1.1)									
6002										
6903										
6003	DD (x1.1)									
6904										
6004										
6005										
6006										

⚠ The price of sealed VV and DD are the price shown in the table multiplied by 1.1.

Bearings with Housings

Double Bearings, Retained, L Selectable



RoHS

Type			Material		Surface Treatment		Accessory
Round	Square	Compact	Bearing	Housing	Bearing	Housing	Retaining Ring
BGRBB	BGSBB	BGCBB	Steel	EN 1.1191	Black Oxide	Electroless Nickel Plating	Spring Steel
BGRB	BGSB	BGCB		Equiv.			EN 1.4301 Equiv.*1
BARB	BASB	BACB	Stainless Steel	Aluminum Alloy 2000 series	Clear Anodize	-	EN 1.4301 Equiv.
SBARB	SBASB	SBACB		EN 1.4301 Equiv.			
SBGRB	SBGSB	SBGCB					

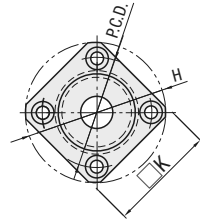
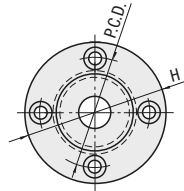
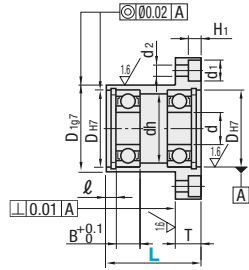
*1 Bearings with Rubber Seals (VV and DD) are all made of steel.

Round

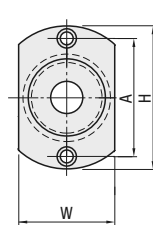
Square

Compact

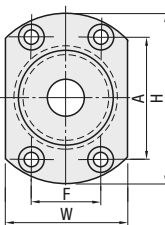
6.3 / (1.6 /)



d3-17



d20-50



Bearing Accuracy: JIS B 1514 Class 0

Part Number		L	d	DH7	Tolerance	B	ℓ	H	W	T	dh	D197	Tolerance	P.C.D.	K	A	F	d1	d2	H1																					
(Round)	BGRBB	623	20 30	3	10	+0.015	4	2.65	33	16	7	7	14	-0.006	24	27	24	-	6.5	3.5	3.1																				
	BGRB	624	20 30	4	13		5	2.65	35	18	9	9	17	-0.024	26	28	26																								
	BARB	605	20 30	5	14	+0.018	5	2.65	36	20	10	10	18		26	30	26																								
	SBARB	625	25 30	5	16	0	5	2.65	38	22	12	12	20		28	31	28																								
	SBGRB	606	20 35	6	17		6	2.65	39	23	13	13	21		29	32	29																								
	(Square)	BGSBB	626	25 35	6	19		6	2.65	41	25	15	15	24	-0.007	31	34					31	-	8	4.5	4.1															
		BGSB	698	25 35	6	19		6	2.65	41	25	15	15	24	-0.028	31	34					31																			
		BASB	608	25 35	8	22		7	2.65	45	29	18	18	27		35	36					35																			
		SBASB	628	25 35	8	24		8	2.85	47	32	20	20	30		37	37					37																			
		SBGSB	6800	20 30	10	19	+0.021	5	2.65	41	25	15	15	24		31	34					31																			
		(Compact)	BGCBB	6900	25 40	10	22	0	6	2.65	45	29	19	19	27		35					36					35	-	9.5	5.5	5.1										
			BGCB	6000	25 40	10	26		8	2.85	50	34	22	22	32	-0.009	40					39					40														
			BACB	6200	30 40	12	30		9	2.85	54	38	24	24	36	-0.034	44					42					44														
			SBACB	6801	25 35	12	21		5	2.85	44	29	17	17	26	-0.007	34					35					34														
			SBGCB	6901	25 40	12	24		6	2.85	48	31	21	21	30	-0.028	38					38					38														
			ZZ Double Shielded	6001	25 40	12	28		8	2.85	52	36	24	24	34	-0.009	42					40					42					-	8	4.5	4.1						
				6201	30 40	12	32	+0.025	10	2.85	56	40	26	26	38	-0.034	46					43					46														
				VV Non-Contact Sealed Rubber Seal	6802	25 35	15	24	+0.021	5	2.85	47	32	20	20	30	-0.009					37					37									37	-	9.5	5.5	5.1	
					6902	25 50	15	28	0	7	2.85	57	37	25	25	35						45					45									45					
					6002	30 50	15	32	+0.025	9	2.85	60	40	28	28	38						48					46									48					
6202					35 50	15	35	0	11	3.75	64	44	29	29	42		52	49	52																						
6903					30 40	17	30	+0.021	7	2.85	60	38	10	27	27	36	-0.034	48	46	48																					
DD Contact Sealed Rubber Seal					6003	35 50	17	35		10	3.75	66	44	31	31	42	-0.009	54	50	54	-	11					6.6									6.1					
					6203	40 50	17	40		12	3.95	72	50	34	34	48	-0.034	60	54	60																					
					6804	35 50	20	32	+0.025	7	3.75	60	40	28	28	38		48	46	48																					
	6904				35 50	20	37		9	3.75	69	47	34	34	45		56	54	51																						
	ZZ Double Shielded				6004	40 50	20	42	+0.025	12	3.95	77	54	36	36	50		64	59	56			32	-	11	6.6															6.1
					6204	45 50	20	47	0	14	3.95	81	58	40	40	54	-0.010	68	62	59			34																		
					6805	35 50	25	37		7	3.75	69	47	34	34	45	-0.009	56	54	51			24																		
					6905	35 50	25	42		9	3.95	77	54	36	36	50	-0.034	64	59	56			32																		
		ZZ Double Shielded			6005	40 60	25	47		12	3.95	88	58	41	41	54	-0.010	72	67	63			36					-	14	9	8.1										
					6205	45 60	25	52	+0.030	15	4.2	94	64	45	45	60	-0.040	78	72	68			39																		
					6806	35 50	30	42	+0.025	7	3.95	77	54	36	36	50	-0.034	64	59	56			32																		
					6906	35 50	30	47	0	9	3.95	88	58	41	41	54		72	67	63			36																		
					ZZ Double Shielded	6006	40 60	30	55		13	4.2	96	66	48	48	62	-0.010	80	73			70																		
			6206			50 60	30	62		16	4.2	104	74	55	55	70	-0.040	88	79	77			44																		
			6807			50 60	35	62		14	4.2	104	74	55	55	70		88	79	75			44																		
			6907	60 80		35	72	+0.030	17	6	126	88	20	64	84	-0.012	105	95	92	51																					
			ZZ Double Shielded	6008		60 70	40	68		15	5.2	114	82	13	60	78	-0.013	96	86	80			54									-	17.5	11	11						
				6208		60 80	40	80		18	6	134	96	18	6	92	-0.046	113	102	98			56																		
				6808		60 70	40	80		16	6	134	96	20	74	92	-0.012	113	-	98			56																		
				6908		60 80	40	80		16	6	134	96	20	74	92	-0.047	113	-	98			56																		
6010				70		50	80		20	7	147	110	83	106	106		126	-	104	72																					

*1 Check for available sizes in the price list.

*2 No. 623, 624, 605 and 606 are not available for VV (Non-contact Sealed).

*3 Bearings with Rubber Seals are all made of steel.



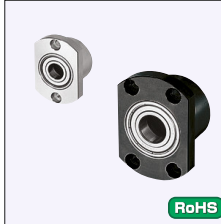
Ordering Example

Part Number	L
Type Bearing Seal	-
BGCN 6000 ZZ	- 25
BGSN 6203 DD	- 30

Bearing No.	Seal	Unit Price														
		Round			Square			Compact								
		BGRBB	BGRB	BARB	SBARB	SBGRB	BGSBB	BGSB	BASB	SBASB	SBGSB	BGCBB	BGCB	BACB	SBACB	SBGCB
623																
624																
605																
625																
606																
626																
698																
608																
628																
6800																
6900																
6000																
6801																
6901																
6001																
6201																
6802																
6902	ZZ (x1.0)															
6002																
6202	VV (x1.1)															
6903																
6003																
6203	DD (x1.1)															
6804																
6904																
6004																
6204																
6805																
6905																
6005																
6205																
6806																
6906																
6006																
6206																
6007																
6207																
6008																
6208																
6010																
6210																

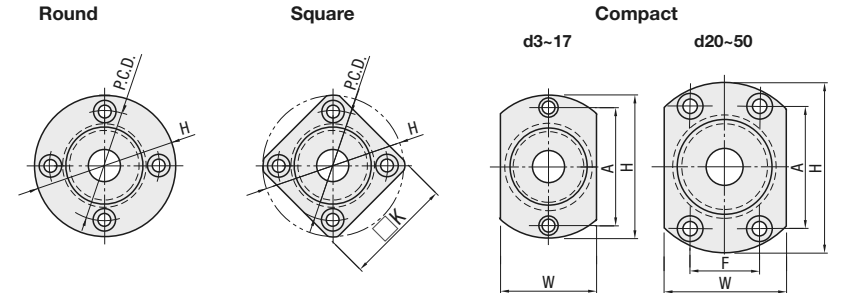
Bearings with Housings

Double Bearings, Non-Retained, L Selectable



Type			Material		Surface Treatment	
Round	Square	Compact	Bearing	Housing	Bearing	Housing
BGRCB	BGSCB	BGCCB	Steel	EN 1.1191	Black Oxide	
BGRC	BGSC	BGCC		Equiv.	Electroless Nickel Plating	
BARC	BASC	BACC		Aluminum Alloy 2000 series	Clear Anodize	
SBARC	SBASC	SBACC	Stainless Steel	EN 1.4301 Equiv.	-	
SBGRC	SBGSC	SBGCC		EN 1.4301 Equiv.	-	

* Bearings with Rubber Seals (VV and DD) are all made of steel.



Bearing Accuracy: JIS B 1514 Class 0

Ordering Example

Part Number: - L

Type: Bearing: Seal:


BGCC 6200 VV - 30
 BGRC 6202 ZZ - 35

Type	Part Number	Seal	L Selection	d	DH7	Tolerance	B	H	W	T	dh	D1g7	Tolerance	P.C.D.	K	A	F	d1	d2	H1	
																					Bearing No.
(Round)	BGRCB	ZZ	20 30	3	10	+0.015	4	33	16	7	7	14	-0.006	24	27	24		6.5	3.5	3.1	
	BGRC		20 30	4	13		5	35	18		9	17	-0.024	26	28	26					
	BARC		20 30	5	14	+0.018	5	36	20		10	18		26	30	26					
	SBARC		25 30	5	16	0	5	38	22		12	20	-0.007	28	31	28					
	SBGRC		20 35	6	17		6	39	23		13	21	-0.028	29	32	29					
			25 35	6	19	+0.021	6	41	25		15	24		31	34	31					
			20 30	8	12	+0.018	3.5	34	18		10	16	-0.006	25	27	25					
			25 35	8	19	0	6	41	25		15	24	-0.024	31	34	31					
			25 35	8	22	+0.021	7	45	29		18	27		35	36	35					
			25 35	8	24	0	8	47	32		20	30	-0.007	37	37	37					
(Square)	BGSCB	VV	20 30	15	24	+0.018	4	37	22	8	12	19	-0.028	27	30	27					
	BGSC		20 30	19			5	41	25		15	24		31	34	31					
	BASC		25 35	22			7	45	29		18	27		35	36	35					
	SBASC		25 35	24			8	47	32		20	30	-0.007	37	37	37					
	SBGSC		20 30	15			4	37	22		12	19	-0.028	27	30	27					
			20 30	19			5	41	25		15	24		31	34	31					
			25 40	10	22	+0.021	6	45	29		19	27		35	36	35					
			30 40	10	26	0	8	50	34		22	32	-0.009	40	39	40					
			30 40	18	30		9	54	38		24	36	-0.034	44	42	44					
			20 30	18	18	+0.018	4	40	25		15	23		30	31	30					
(Compact)	BGCCB	DD	20 30	12	21	+0.021	5	44	29	8	17	26	-0.028	34	35	34					
	BGCC		25 40	12	24	0	6	48	31		21	30		38	38	38					
	BACC		25 40	28			8	52	36		24	34	-0.009	42	40	42					
	SBACC		30 40	32			10	56	40		26	38	-0.034	46	43	46					
	SBGCC		25 35	21			4	44	29		18	26	-0.007	34	35	34					
			25 35	21			5	47	32		20	30	-0.028	37	37	37					
			25 50	15	28	0	7	57	37		25	35		45	45	45					
			30 50	15	32	+0.025	9	60	40		28	38		48	46	48					
			35 50	17	35	0	11	64	44		29	42		52	49	52					
			30 40	17	26	+0.021	5	50	34		22	32		40	39	40					
	30 40	17	30	0	7	60	38		27	36	-0.009	48	46	48							
	35 50	17	35	+0.025	10	66	44		31	42	-0.034	54	50	54							
	40 50	17	40	0	12	72	50		34	48		60	54	60							
	30 40	20	27	+0.021	4	51	35		23	33		41	39	32	25	8	4.5	4.1			
	35 50	20	32		7	60	40		28	38		48	46	38	29	9.5	5.5	5.1			
	35 50	20	37		9	69	47		34	45		56	54	51	24						
	40 60	20	42		12	77	54		36	50		64	59	56	32						
	45 50	25	47	+0.025	14	81	58		40	54	-0.010	68	62	59	34						
	35 50	25	37	0	7	69	47		34	45	-0.009	56	54	51	24						
	35 50	25	42		9	77	54		36	50	-0.034	64	59	56	32						
	40 60	25	47		12	88	58		41	54	-0.010	72	67	63	36						
	45 60	25	52	+0.030	15	94	64		45	60	-0.040	78	72	68	39						
	35 50	30	42	+0.025	7	77	54		36	50	-0.034	64	59	56	32						
	35 50	30	47	0	9	88	58		41	54		72	67	63	36						
	40 60	30	55		13	96	66		48	62	-0.010	80	73	70	40						
	50 60	30	62		16	104	74		55	70	-0.040	88	79	77	44						
	50 60	35	62		14	104	74		55	70		88	79	75	44						
	60 80	35	72	+0.030	17	126	88		64	84	-0.012	105	95	92	51	17.5	11	11			
	60 80	40	68	0	15	114	82		60	78	-0.040	96	86	80	54	14	9	8.1			
	62 80	40	80		18	134	96		74	92		113	102	98	56						
	60 10	40	80		16	134	96		74	92	-0.012	113	-	98	56	17.5	11	11			
	62 10	40	90	+0.035	20	147	110		83	106	-0.047	126	-	104	72						

Bearing No.	Seal	Unit Price														
		Round			Square				Compact							
		BGRCB	BGRC	BARC	SBARC	SBGRC	BGSCB	BGSC	BASC	SBASC	SBGSC	BGCCB	BGCC	BACC	SBACC	SBGCC
623																
624																
605																
625																
606																
626																
678																
698																
608																
628																
6700																
6800																
6900																
6000																
6200																
6701																
6801																
6901																
6001																
6201																
6702	ZZ															
6802	(x1.0)															
6902																
6002	VV															
6202	(x1.1)															
6803																
6903	DD															
6003	(x1.1)															
6203																
6704																
6804																
6904																
6004																
6204																
6805																
6905																
6005																
6205																
6806																
6906																
6006																
6206																
6007																

Bearings with Housings

Double Bearings with Pilot, Retained, L Configurable



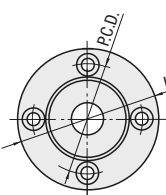
RoHS

Type			Material		Surface Treatment		Accessory Retaining Ring
Round	Square	Compact	Bearing	Housing	Bearing	Housing	
BGFRZB	-	BGFCZB	Steel	EN 1.1191	Black Oxide	Spring Steel	
BGFRZ	BGFSZ	Electroless Nickel Plating					
BAFRZ	-	Clear Anodize					
SBAFRZ	SBAFCZ			Aluminum Alloy 2000 series			
			Stainless Steel			EN 1.4301 Equiv.	

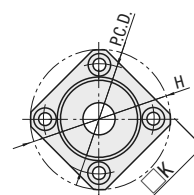
* Bearings with Rubber Seals (VV and DD) are all made of steel.

6.3 / (16 /)

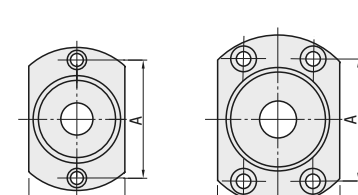
Round



Square



Compact



Bearing Accuracy: JIS B 1514 Class 0

Ordering Example

Part Number: - -

BGCN 6000 ZZ - 25 - S12
 BGSN 6203 DD - 30

When S is not specified, S dimension will be the minimum value. In this case, S=10


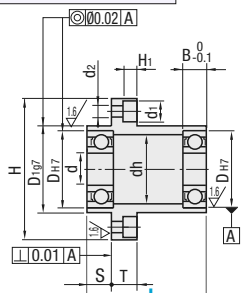
Part Number			1mm Increment		d	DH7	Tolerance	B	ℓ	H	W	T	dh	D197	Tolerance	P.C.D.	K	A	F	d1	d2	H1
Type	Bearing No.	Seal	L	S																		
(Round)	623	ZZ Double Shielded	20-40	5-28	3	10	+0.015	4	2.65	33	16	7	7	14	-0.006	24	27	24		6.5	3.5	3.1
	624		20-40	5-28	4	13		5	2.65	35	18		9	17	-0.024	26	28	26				
	605		20-40	5-27	5	14	+0.018	5	2.65	38	20		10	18		28	30	28				
	625		30-40	10-22	5	16	0	5	2.65	40	22		12	20		30	31	30				
	606		20-40	5-27	6	17		6	2.65	41	23		13	21		31	32	31				
	626		30-50	10-32	6	19		6	2.65	44	25		15	24		34	34	34				
	698		25-50	5-37	8	19		6	2.65	44	25		15	24	-0.007	34	34	34				
	608		20-50	5-37	8	22		7	2.65	47	29		18	27	-0.028	37	36	37				
	628		30-50	10-32	8	24		8	2.85	50	32		20	30		40	37	40				
	6800		20-40	5-27	10	19	+0.021	5	2.65	44	25		15	24		34	34	34			8	4.5
6900	25-60	5-47	10	22	0	6	2.65	47	29		19	27		37	36	37						
6000	30-60	10-42	10	26		8	2.85	52	34		22	32	-0.009	42	39	42						
6200	40-60	15-37	10	30		9	2.85	56	38		24	36	-0.034	46	42	46						
6801	25-50	5-37	12	21		5	2.85	47	29		17	26	-0.007	37	36	37						
6901	30-60	10-42	12	24		6	2.85	50	31		21	30	-0.028	40	38	40						
6001	30-60	10-42	12	28		8	2.85	54	36		24	34	-0.009	44	40	44						
6201	40-70	15-47	12	32	+0.025	10	2.85	58	40		26	38	-0.034	48	43	48						
6802	25-60	10-42	15	24	+0.021	5	2.85	50	32		20	30	-0.007	40	37	40						
6902	30-70	10-50	15	28	0	7	2.85	59	37		25	35	-0.028	47	45	47						
6002	40-70	15-45	15	32	+0.025	9	2.85	62	40		28	38		50	46	50						
6202	40-70	15-45	15	35	0	11	3.75	66	44		29	42		54	49	54						
6903	40-70	15-45	15	30	+0.021	7	2.85	60	38		27	36		48	46	48			9.5	5.5	5.1	
6003	40-70	15-45	17	35		10	3.75	66	44		31	42	-0.009	54	50	54						
6203	50-70	20-40	17	40		12	3.95	72	50		34	48	-0.034	60	54	60						
6804	35-70	10-50	20	32		7	3.75	62	40		28	38		50	46	44	24					
6904	45-70	15-44	20	37	+0.025	9	3.75	72	47		34	45		59	54	54	24					
6004	55-80	20-49	20	42	0	12	3.95	77	54		36	50		64	59	56	32					
6204	55-80	20-49	20	47		14	3.95	81	58		40	54	-0.010	68	62	59	34			11	6.6	6.1
6805	35-70	15-44	25	37		7	3.75	72	47		34	45	-0.009	59	54	54	24					
6905	35-70	15-44	25	42		9	3.95	77	54		36	50	-0.034	64	59	55	32					
6005	55-80	20-47	25	47		12	3.95	88	58		41	54	-0.010	72	67	63	36			14	9	8.1
6205	55-80	20-47	25	52	+0.030	15	4.2	94	64		45	60	-0.040	78	72	68	39					
6806	35-70	15-42	30	42	+0.025	7	3.95	77	54		36	50	-0.009	64	59	56	32			11	6.6	6.1
6906	35-70	15-42	30	47	0	9	3.95	88	58		41	54		72	67	62	36					
6006	55-80	20-47	30	55		13	4.2	96	66		48	62	-0.010	80	73	70	40			14	9	8.1
6206	55-120	20-87	30	62		16	4.2	104	74		55	70	-0.040	88	79	77	44					
6007	55-120	20-87	30	62		14	4.2	104	74		55	70		88	79	75	44					
6207	55-120	20-87	35	72	+0.030	17	6	126	88		64	84	-0.012	105	95	92	51			17.5	11	11
6008	65-120	25-82	35	68	0	15	5.2	114	82		60	78	-0.040	96	86	80	54			14	9	8.1
6208	65-120	25-82	35	80		18	6	134	96		74	92		113	102	98	56					
6010	65-120	25-82	40	80		16	6	134	96		74	92	-0.012	113	-	98	56			17.5	11	11
6210	70-120	25-82	40	90	+0.035	20	7	147	110		83	106	-0.047	126	-	104	72					

Bearing No.	Seal	Unit Price																					
		Round			Square	Compact																	
		BGFRZB	BGFRZ	BAFRZ	SBAFRZ	BGFSZ	BGFCZB	BGFCZ	SBAFCZ														
623																							
624																							
605																							
625																							
606																							
626																							
698																							
608																							
628																							
6800																							
6900																							
6000																							
6200																							
6801																							
6901																							
6001																							
6201																							
6802																							
6902																							
6002	ZZ (x1.0)																						
6202	VV (x1.1)																						
6903	DD (x1.1)																						
6003																							
6203																							
6804																							
6904																							
6004																							
6204																							
6805																							
6905																							
6005																							
6205																							
6806																							
6906																							
6006																							
6206																							
6007																							
6207																							
6008																							
6208																							
6010																							
6210																							

*The price of sealed V

Bearings with Housings

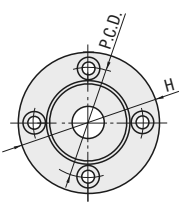
Double Bearings with Pilot, Non-Retained, L Selectable

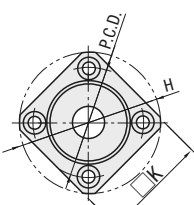
Type			Material		Surface Treatment	
Round	Square	Compact	Bearing	Housing	Bearing	Housing
BGRYB	BGSYB	BGCYB	Steel	EN 1.1191 Equiv.	Black Oxide	
BGRY	BGSY	BGCY			Electroless Nickel Plating	
BARY	BASY	BACY				
SBARY	SBASY	SBACY	* Stainless Steel	Aluminum Alloy 2000 series EN 1.4301 Equiv.	Clear Anodize	
SBGRY	SBGSY	SBGCY				

* Bearings with Rubber Seals (VV and DD) are all made of steel.

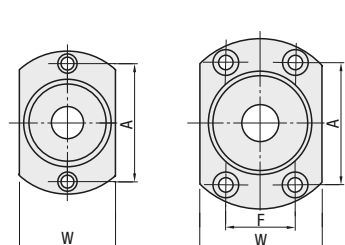
Round




Square



Compact



Bearing Accuracy: JIS B 1514 Class 0



Ordering Example

Part Number	L
Type Bearing Seal	-
BACY 628 ZZ	- 35
BASY 6900 DD	- 25

Type	Part Number	Seal	L	S	d	DH7	Tolerance	B	H	W	T	dh	D _{h7}	Tolerance	P.C.D.	K	A	F	d ₁	d ₂	H ₁
(Round)	623		20 30	5	3	10	+0.015	4	33	16	7	7	14	-0.006	24	27	24		6.5	3.5	3.1
	624		20 30	5	4	13		5	35	18		9	17	-0.024	26	28	26				
	605		25 35	5	14		+0.018	5	38	20		10	18		28	30	28				
	625		35 40	10	5	16	0	5	40	22		12	20		30	31	30				
	606		25 40	5	17			6	41	23		13	21	-0.007	31	32	31		8	4.5	4.1
	626		35 45	10	6	19	+0.021	6	44	25		15	24	-0.028	34	34	34				
	678		20 30	5	12		+0.018	3.5	35	18		10	16	-0.024	26	28	26		6.5	3.5	3.1
	698		25 35	5	19			6	44	25		15	24		34	34	34				
	608		25 35	5	22		+0.021	7	47	29		18	27		37	36	37				
	628		35 45	10	24		0	8	50	32		20	30	-0.007	40	37	40				
(Square)	6700		20 30	5	15		+0.018	4	40	22		12	19	-0.028	30	31	30				
	6800		20 30	5	19			5	44	25		15	24		34	34	34				
	6900		25 40	5	10	22	+0.021	6	47	29	8	19	27		37	36	37				
	6000		35 50	10	26	0		8	52	34		22	32	-0.009	42	39	42				
	6200		45 55	15	30			9	56	38		24	36	-0.034	46	42	46		8	4.5	4.1
	6701		20 30	5	18		+0.018	4	44	25		15	23		34	34	34				
	6801		25 35	5	21			5	47	29		17	26	-0.007	37	36	37				
	6901		35 50	10	24		+0.021	6	50	31		21	30	-0.028	40	38	40				
	6001		35 50	10	28			8	54	36		24	34	-0.009	44	40	44				
	6201		45 55	15	32		+0.025	10	58	40		26	38	-0.034	48	43	48				
(Compact)	6702		25 35	10	21			4	47	29		18	26	-0.007	37	36	37				
	6802		25 35	10	24		+0.021	5	50	32		20	30	-0.028	40	37	40				
	6902		35 60	10	28		0	7	59	37		25	35		47	45	47				
	6002		45 65	15	32		+0.025	9	62	40		28	38		50	46	50		9.5	5.5	5.1
	6202		50 65	15	35		0	11	66	44		29	42		54	49	54				
	6803		30 40	10	26		+0.021	5	52	34		22	32		42	39	42		8	4.5	4.1
	6903		45 55	15	30		0	7	60	38		27	36	-0.009	48	46	48				
	6003		50 65	15	35		+0.025	10	66	44		31	42	-0.034	54	50	54		9.5	5.5	5.1
	6203		60 70	20	40		0	12	72	50		34	48		60	54	60				
	6704		30 40	10	27		+0.021	4	59	35		23	33		47	45	41	23	8	4.5	4.1
(Double Shielded)	6804		35 50	10	32			7	62	40		28	38		50	46	44	24	9.5	5.5	5.1
	6904		50 65	15	37			9	72	47		34	45	-0.009	59	54	54	24			
	6004		60 70	20	42			12	77	54		36	50	-0.034	64	59	55	32			
	6204		65 70	20	47		+0.025	14	81	58	11	40	54	-0.010	68	62	59	34	11	6.6	6.1
	6805		35 50	15	37			7	72	47		34	45		59	54	54	24			
	6905		35 50	15	42			9	77	54		36	50	-0.034	64	59	55	32			
	6005		60 80	20	47			12	88	58		41	54	-0.010	72	67	63	36			
	6205		65 80	20	52		+0.030	15	94	64	13	45	60	-0.040	78	72	68	39	14	9	8.1
	6806		35 50	15	42		+0.025	7	77	54	11	36	50	-0.034	64	59	56	32	11	6.6	6.1
	6906		35 50	15	47		0	9	88	58		41	54		72	67	62	36			
6006		60 80	20	55			13	96	66		48	62	-0.010	80	73	70	40	14	9	8.1	
6206		70 80	20	62			16	104	74	13	55	70	-0.040	88	79	77	44				
6007		70 80	20	62			14	104	74		55	70		88	79	75	44				
6207		70 90	20	72		+0.030	17	126	88	20	64	84	-0.012	105	95	92	51	17.5	11	11	
6008		80 90	25	68			15	114	82	13	60	78	-0.012	96	86	80	54	14	9	8.1	
6208		70 90	20	62			18	134	96		74	92		113	102	98	56				
6010		80	20	80			16	134	96	20	74	92	-0.012	113	-	98	56	17.5	11	11	
6210		100	20	90		+0.035	20	147	110		83	106	-0.047	126	-	104	72				

Bearing No.	Seal	Unit Price														
		Round			Square				Compact							
		BGRYB	BGRY	BARY	SBARY	SBGRY	BGSYB	BGSY	BASY	SBASY	SBGSY	BGCYB	BGCY	BACY	SBACY	SBGCY
623																
624																
605																
625																
606																
626																
678																
698																
608																
628																
6700																
6800																
6900																
6000																
6200																
6701																
6801																
6901																
6001																
6201																
6702																
6802	ZZ (x1.0)															
6902																
6002	VV (x1.1)															
6202																
6803	DD (x1.1)															
6903																
6003																
6203																
6704																
6804																
6904																
6004																
6204																
6805																
6905																
6005																
6205																
6806																
6906																
6006																
6206																
6007																
6207																
6008																
6208																
6010																
6210																

* The price of sealed VV and DD are the price shown in the table multiplied by 1.1.

*1 No. 623, 624, 605, 606 and

Bearings with Housings

Double Bearings with Pilot, Non-Retained, L Configurable

Type			Material		Surface Treatment	
Round	Square	Compact	Bearing	Housing	Bearing	Housing
BGFRYB	BGFSYB	BGFCYB	Steel	EN 1.1191 Equiv.	Black Oxide	
BGFRY	BGFSY	BGFCY		Electroless Nickel Plating		
BAFRY	BAFSY	BAFCY		Aluminum Alloy 2000 series	Clear Anodize	
SBGFRY	-	-	Stainless Steel	EN 1.4301 Equiv.		

* Bearings with Rubber Seals (VV and DD) are all made of steel.

Bearing Accuracy: JIS B 1514 Class 0

Type	Part Number	Seal	1mm Increment		d	DH7	Tolerance	B	H	W	T	dh	D197	Tolerance	P.C.D.	K	A	F	d1	d2	H1
			L	S																	
(Round)	BGFRYB	ZZ	20-40	5-28	3	10	+0.015	4	33	16	7	7	14	-0.006	24	27	24		6.5	3.5	3.1
	BGFRY	ZZ	20-40	5-28	4	13	+0.018	5	35	18		9	17	-0.024	26	28	26				
	BAFRY	ZZ	20-40	5-27	5	14	0	5	38	20		10	18		28	30	28				
	SBGFRY	ZZ	30-40	10-22	5	16	0	5	40	22		12	20		30	31	30		8	4.5	4.1
	BGFRYB	ZZ	20-40	5-27	6	17	+0.021	6	41	23		13	21	-0.007	31	32	31				
	BGFRY	ZZ	30-50	10-32	6	19	+0.021	6	44	25		15	24	-0.028	34	34	34				
	BAFRY	ZZ	20-40	5-27	8	12	+0.018	3.5	35	18		10	16	-0.006	26	28	26		6.5	3.5	3.1
	SBGFRY	ZZ	25-50	5-37	8	19	+0.021	6	44	25		15	24	-0.028	34	34	34				
	BGFRYB	ZZ	20-50	5-37	8	22	0	7	47	29		18	27		37	36	37				
	BGFRY	ZZ	30-50	10-32	8	24	0	8	50	32		20	30	-0.007	40	37	40				
(Square)	BGFRYB	ZZ	20-40	5-27	10	22	+0.021	6	47	29	8	12	19	-0.028	30	31	30		6.5	3.5	3.1
	BGFRY	ZZ	20-40	5-27	10	22	0	6	47	29		15	24		34	34	34				
	BAFRY	ZZ	30-60	10-42	10	26	0	8	52	34		19	27	-0.009	42	39	42				
	SBGFRY	ZZ	40-60	15-37	10	30	0	9	56	38		24	36	-0.034	46	42	46	-	8	4.5	4.1
	BGFRYB	ZZ	20-40	5-27	12	21	+0.018	4	44	25		15	23	-0.007	34	34	34				
	BGFRY	ZZ	25-50	5-37	12	21	0	5	47	29		17	26	-0.028	37	36	37				
	BAFRY	ZZ	30-60	10-42	12	24	+0.021	6	50	31		21	30	-0.028	40	38	40				
	SBGFRY	ZZ	30-60	10-42	12	28	0	8	54	36		24	34	-0.009	44	40	44				
	BGFRYB	ZZ	40-70	15-47	15	32	+0.025	10	58	40		26	38	-0.034	48	43	48				
	BGFRY	ZZ	25-60	10-42	15	24	+0.021	4	47	29		18	26	-0.007	37	36	37				
(Compact)	BGFRYB	ZZ	25-60	10-42	15	28	0	5	50	32		20	30	-0.028	40	37	40				
	BGFRY	ZZ	30-70	10-50	15	24	0	7	59	37		25	35		47	45	47				
	BAFRY	ZZ	40-70	15-45	15	32	+0.025	9	62	40		28	38		50	46	50		9.5	5.5	5.1
	SBGFRY	ZZ	40-70	15-45	15	35	0	11	66	44		29	42		54	49	54				
	BGFRYB	ZZ	25-60	10-40	17	26	+0.021	5	52	34		22	32	-0.009	42	39	42		8	4.5	4.1
	BGFRY	ZZ	40-70	15-45	17	30	0	7	60	38	10	27	36	-0.034	48	46	48				
	BAFRY	ZZ	40-70	15-45	17	35	+0.025	10	66	44		31	42		54	50	54		9.5	5.5	5.1
	SBGFRY	ZZ	50-70	20-40	17	40	0	12	72	50		34	48	-0.034	60	54	60				
	BGFRYB	ZZ	30-70	10-50	20	27	+0.021	4	59	35		23	33		47	45	41	23	8	4.5	4.1
	BGFRY	ZZ	35-70	10-50	20	32	0	7	62	40		28	38		50	46	44	24	9.5	5.5	5.1

*1 No. 623, 624, 605, 606 and numbers starting with 67 are not available for VV (Non-contact Sealed).
 *2 Bearings with Rubber Seals are all made of steel.

Ordering Example: Part Number [Type] [Bearing] [Seal] - L - S

BAFCY 608 ZZ - 47 - S18
 BGFRY 6200 VV - 40

When S is not specified, S dimension will be the minimum value. In this case, S=15

Bearing No.	Seal	Unit Price									
		Round			Square			Compact			
		BGFRYB	BGFRY	BAFRY	SBGFRY	BGFSYB	BGFSY	BAFSY	BGFCYB	BGFCY	BAFCY
623											
624											
605											
625											
606											
626											
678											
698											
608											
628											
6700											
6800											
6900											
6000											
6200											
6701											
6801											
6901											
6001											
6201											
6702	ZZ (x1.0)										
6802											
6902											
6002											
6202	VV (x1.1)										
6803											
6903											
6003											
6203	DD (x1.1)										
6704											
6804											
6904											
6004											
6204											
6805											
6905											
6005											
6205											
6806											
6906											
6006											
6206											
6007											
6207											
6008											
6208											
6010											
6210											

*The price of sealed VV and DD are the price shown in the table multiplied by 1.1.


Alterations Part Number [Type] [Bearing] [Seal] - L - S - (NA)

BAFSY600ZZ - 35 - NA

Alteration	Bearings Not Assembled
Code	NA
Spec.	Bearings are shipped unassembled to the housing.

Bearings with Housings

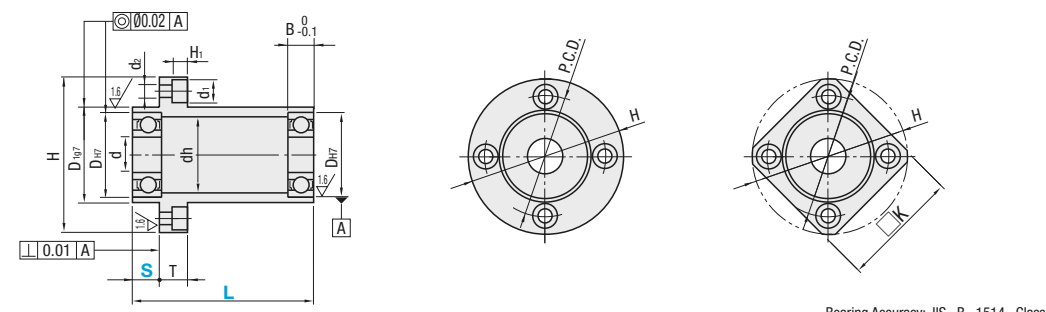
Double Bearings with Long Pilot, Non-Retained, Configurable



Type		Material		Surface Treatment	
Round	Square	Bearing	Housing	Bearing	Housing
BGFRLB	-	Steel	EN 1.1191	-	Black Oxide
BGFRL	BGFSL	-	Equiv.	-	Electroless Nickel Plating
SBGFRL	-	*Stainless Steel	EN 1.4301	Equiv.	-

* Bearings with Rubber Seals (VV and DD) are all made of steel.

RoHS



Bearing Accuracy: JIS B 1514 Class 0

Type	Part Number		1mm Increment		d	DH7	Tolerance	B	H	T	dh	D1g7	Tolerance	P.C.D.	K	d1	d2	H1
	Bearing No.	Seal	L	S														
(Round) BGFRLB BGFRL SBGFRL	608	ZZ Double Shielded	51~100	5~85	8	22	+0.021 0	7	47	8	18	27	-0.007 -0.028	37	36	8	4.5	4.1
	628		51~100	10~80				8	50		20	30		40	37			
	6900		61~120	5~105	10	26	+0.021 0	6	47	8	19	27	-0.009 -0.034	37	36	8	4.5	4.1
	6000		61~120	10~100				8	52		22	32		42	39			
	6200		61~120	15~95	12	30	+0.025 0	9	56	8	24	36	-0.009 -0.028	46	42	8	4.5	4.1
	6901		61~120	10~100				6	50		21	30		40	38			
	6001		61~120	10~100	15	28	+0.021 0	8	54	10	24	34	-0.009 -0.034	44	40	9.5	5.5	5.1
	6201		71~140	15~115				10	58		26	38		48	43			
	6902		71~140	10~115	20	28	+0.025 0	7	59	11	25	35	-0.009 -0.034	47	45	11	6.6	6.1
	6002		71~140	15~115				9	62		28	38		50	46			
6202	71~140	15~115	25	35	+0.025 0	11	66	13	29	42	-0.010 -0.040	54	49	14	9	8.1		
6904	71~140	15~110				9	72		34	45		59	54					
(Square) BGFSL	6004	*DD Contact Sealed Rubber Seal	81~160	20~125	30	42	+0.030 0	12	77	13	36	50	-0.010 -0.040	64	59	14	9	8.1
	6204		81~160	20~125				14	81		40	54		68	62			
	6905		71~140	20~117	35	47	+0.030 0	9	77	14	36	50	-0.010 -0.040	64	59	14	9	8.1
	6005		81~160	20~137				12	88		41	54		72	67			
	6205		81~160	20~137	35	52	+0.030 0	15	94	14	45	60	-0.010 -0.040	78	72	14	9	8.1
	6906		71~140	20~117				9	88		41	54		72	67			
	6006		81~160	20~137	35	62	+0.030 0	13	96	14	48	62	-0.010 -0.040	80	73	14	9	8.1
6206	121~160	20~137	16	104				55	70		88	79						
6007	121~160	20~137	14	104	55	70	88	79										

Check for available sizes in the price list.

*1 Bearings with Rubber Seals are all made of steel.

Ordering Example

Part Number	Type	Bearing	Seal	L	S
BGFRLB 608	ZZ	-	-	70	S20
BGFSL 6202	VV	-	-	80	S30

Bearing No.	Seal	Unit Price			
		Round		Square	
		BGFRLB	BGFRL	SBGFRL	BGFSL
608	ZZ (x1.0)				
628					
6900					
6000					
6200					
6901					
6001					
6201					
6902					
6002		VV (x1.1)			
6202					
6904					
6004	DD (x1.1)				
6204					
6905				-	
6005				-	
6205				-	
6906				-	
6006				-	
6206				-	
6007				-	

The price of sealed VV and DD are the price shown in the table multiplied by 1.1.

Alterations

Part Number	L	S	(NA)
BGFRLB6000ZZ	80	S25	NA

Alteration	Bearings Not Assembled
Code	NA
Spec.	Bearings are shipped unassembled to the housing.

Bearings with Housings - Low Dust Generation Grease Filled

Single Bearings

Bearings with Housings - Low Dust Generation Grease Filled

Double Bearings

Retained	Pilot, Retained	Non-Retained	Material		Surface Treatment	
			Bearing	Housing	Bearing	Housing
S-SBACA	S-SBACR	S-SBACN	Stainless Steel	Aluminum Alloy 2000 series	Clear Anodize	
S-SBGCA	S-SBGCR	S-SBGCN	Steel	EN 1.4301 Equiv.	-	

• Retained • Pilot, Retained • Non-Retained

6.3 / (1.6 /)

• Bearing may protrude 0.1 to 0.2mm due to negative tolerance of B dimension for holding bearing outer rings in place.

• Mounting holes are tapped and counterbored so the housing can be mounted from either side.

Bearing Accuracy: JIS B 1514 Class 0 Accessory: Retaining Ring (EN 1.4301 Equiv.)

Retained	Compact	Non-Retained	Material		Surface Treatment	
			Bearing	Housing	Bearing	Housing
S-SBARB	S-SBACB	S-SBACC	Stainless Steel	EN AW-2017 Equiv.	Clear Anodize	
S-SBGRB	-	S-SBAMCC	Steel	EN 1.4301 Equiv.	Electroless Nickel Plating	
-	-	S-SBGCC	-	-	-	

• Retained • Non-Retained Round Compact

6.3 / (1.6 /)

Bearing Accuracy: JIS B 1514 Class 0 Accessory: Retaining Ring (EN 1.4301 Equiv.)

Part Number Type	Bearing No.	d	DH7	Tolerance	B	H	W	T	T ₁	T ₂	dh	D _{1g7}	Tolerance	A	F	M (Coarse) (dz)	d ₁	H ₁
Retained S-SBACA S-SBGCA	623ZZ	3	10	+0.015	4	33	16	9	7	6	7	14	24	M4 (3.3)	6.5	3.4		
	624ZZ	4	13	0	5	35	18	10	8	7	9	17	-0.006	26				
	605ZZ	5	14	+0.018	5	36	20	10	8	7	10	18	-0.024	26				
	625ZZ	5	16	0	5	38	22	10	8	7	12	20		28				
	606ZZ	6	17	0	6	39	23	11	9	8	8	13	21	-0.007	29			
	608ZZ	8	22	0	7	45	29	12	10	9	18	27	-0.028	35				
Pilot, Retained S-SBACR S-SBGCR	6900ZZ	10	26	+0.021	6	45	29	11	9	8	19	27	35	M5 (4.3)	8	4.4		
	6000ZZ	10	26	0	8	50	34	13	11	10	22	32	-0.009	40				
	6200ZZ	10	30	0	9	54	38	14	12	11	24	36	-0.034	44				
	6901ZZ	10	24	0	6	48	31	11	9	8	21	30	-0.007	38				
	6001ZZ	12	28	0	8	52	36	13	11	10	24	34	-0.028	42				
	6201ZZ	12	32	+0.025	10	56	40	15	13	12	26	38	46	M6 (5.2)	9.5	5.4		
Non-Retained S-SBACN S-SBGCN	6902ZZ	15	28	+0.021	7	57	37	12	10	9	25	35	45	M6 (5.2)	9.5	5.4		
	6002ZZ	15	32	0	9	60	40	14	12	11	28	38	48	M6 (5.2)	9.5	5.4		
	6202ZZ	15	35	0	11	64	44	17	15	13	29	42	52	M6 (5.2)	9.5	5.4		
	6904ZZ	20	37	+0.025	9	69	47	15	13	11	34	45	51	M8 (6.8)	11	6.5		
	6004ZZ	20	42	0	12	77	54	18	16	14	36	50	56	M8 (6.8)	11	6.5		
	6204ZZ	20	47	0	14	81	58	20	18	16	40	54	59	M8 (6.8)	11	6.5		

Part Number Type	Bearing No.	L Selection	d	DH7	Tolerance	B	ℓ	H	W	T	dh	D _{1g7}	Tolerance	P.C.D.	A	F	d ₁	d ₂	H ₁		
																				3	10
Retained (Round) S-SBARB S-SBGRB	623ZZ	20 30	3	10	+0.015	4	2.65	33	16	7	7	14	-0.006	24	24						
	624ZZ	20 30	4	13	0	5	2.65	35	18	9	9	17	-0.024	26	26			6.5	3.5	3.1	
	605ZZ	20 30	5	14	+0.018	5	2.65	36	20	10	10	18	-0.007	26	26						
	625ZZ	25 30	5	16	0	5	2.65	38	22	12	12	20	-0.028	28	28						
	606ZZ	20 35	6	17	0	6	2.65	39	23	13	13	21	-0.009	29	29						
	608ZZ	25 35	8	22	0	7	2.65	45	29	18	18	27	-0.034	35	35						
(Compact) S-SBACB	6900ZZ	25 40	8	22	+0.021	6	2.65	45	29	19	19	27	-0.007	35	35						
	6000ZZ	25 40	10	26	0	8	2.85	50	34	22	22	32	-0.034	40	40			8	4.5	4.1	
	6200ZZ	30 40	10	30	0	9	2.85	54	38	24	24	36	-0.009	44	44						
	6901ZZ	25 40	12	24	0	6	2.85	48	31	21	21	30	-0.028	38	38						
	6001ZZ	25 40	12	28	0	8	2.85	52	36	24	24	34	-0.007	42	42						
	6201ZZ	30 40	12	32	+0.025	10	2.85	56	40	26	26	38	-0.034	46	46						
Non-Retained (Compact) S-SBACC S-SBAMCC S-SBGCC	6902ZZ	25 50	15	28	+0.021	7	2.85	57	37	25	25	35	-0.009	45	45						
	6002ZZ	30 50	15	32	0	9	2.85	60	40	28	28	38	-0.034	48	48			9.5	5.5	5.1	
	6202ZZ	35 50	15	35	0	11	3.75	64	44	29	29	42	-0.009	52	52						
	6904ZZ	35 50	17	37	+0.025	9	3.75	69	47	34	34	45	-0.028	56	51	24					
	6004ZZ	40 50	20	42	0	12	3.95	77	54	36	36	50	-0.010	64	56	32			11	6.6	6.1
	6204ZZ	45 50	20	47	0	14	3.95	81	58	40	40	54	-0.040	68	59	34					

Ordering Example **Part Number** S-SBACA6900ZZ

Alterations Example **Part Number** - (NA) S-SBACA6900ZZ - NA

ex • App. Example P.932 • Low Dust Generation Bearings P.1009

Ordering Example **Part Number** - L S-SBARB6900ZZ - 25

Alterations Example **Part Number** - L (NA) S-SBARB6900ZZ - 25 - NA

ex • App. Example P.940, 944 • Low Dust Generation Bearings P.1009

Alteration Code	Bearings, Retaining Rings Not Assembled
Spec.	Bearings and retaining rings are shipped unassembled to the housing.

Bearing No.	Retained Type Unit Price		Pilot, Retained Type Unit Price		Non-Retained Type Unit Price	
	S-SBACA	S-SBGCA	S-SBACR	S-SBGCR	S-SBACN	S-SBGCN
623ZZ						
624ZZ						
605ZZ						
625ZZ						
606ZZ						
608ZZ						
6900ZZ						
6000ZZ						
6200ZZ						
6901ZZ						
6001ZZ						
6201ZZ						
6902ZZ						
6002ZZ						
6202ZZ						
6904ZZ						
6004ZZ						
6204ZZ						

Bearing No.	Unit Price					
	Retained		Non-Retained		Non-Retained Compact	
	Round S-SBARB	S-SBGRB	S-SBACB	S-SBACC	S-SBAMCC	S-SBGCC
623ZZ						
624ZZ						
605ZZ						
625ZZ						
606ZZ						
608ZZ						
6900ZZ						
6000ZZ						
6200ZZ						
6901ZZ						
6001ZZ						
6201ZZ						
6902ZZ						
6002ZZ						
6202ZZ						
6904ZZ						
6004ZZ						
6204ZZ						

Square Bearings with Housings - Overview

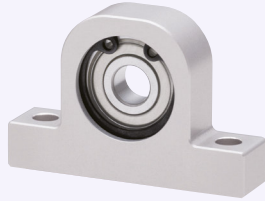
Bearings with Housings - T-Shaped Extruded Machined

Selection List for Bearings with Housings

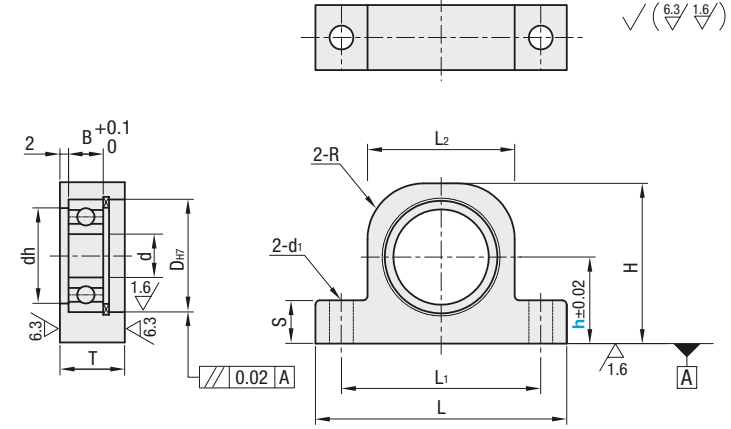
- Square Bearings with Housings are the bundled item containing the Class 0 Accuracy Bearings and the Housing with the H7 Accuracy Bearing Hole guaranteed. This will save your time and trouble of preparing drawings and ordering parts.
- Largely classified into two types: Single and Double (excluding some shapes). The Double is suitable for supporting relatively large load.

Basic Shape	Product Photo	Securing Method	Features	Page	
				Single	Double
T-Shaped Extruded Aluminum Product			<ul style="list-style-type: none"> Most economical extruded aluminum product. Price is reduced up to 30% lower than the conventional steel T-shaped milled products. R-shaped corner has improved the safety and the design. 	P960	
T-Shaped			<ul style="list-style-type: none"> Stable installation. Suitable when lengthwise space is limited. If positioning accuracy is required, Bearings with Housings - with Positioning Groove is useful. Bearings with Housings - Low Particle Generation Grease Filled is suitable for use in a clean room, etc. 	Standard P961 Datum P967 Low Particle Generation Grease Filled P969	Standard P963 Short Double P966 Datum P968 Low Particle Generation Grease Filled P970
L-Shaped			<ul style="list-style-type: none"> Suitable when crosswise space is limited. 	P965	
Bottom Mount			<ul style="list-style-type: none"> Mounted from the bottom of the plate. Suitable when crosswise space is limited. 	P971	P972
Block			<ul style="list-style-type: none"> Suitable when lengthwise space is limited. 	P973	P974
Front Mount			<ul style="list-style-type: none"> For limited installation spaces. Shouldered Type guarantees ±0.02 height accuracy. 	Standard P975 Shouldered P976	

Features: Extruded machined product made of aluminum alloy reduces the price up to 30% than the conventional T-shaped milled product made of steel. Round shape eliminates the need for C chamfering and improves safety.



Type	Material		Surface Treatment	Accessory
	Bearing	Housing	Housing	Retaining Ring
C-BGHKA	Steel	Aluminum Alloy	Clear Anodize	Spring Steel

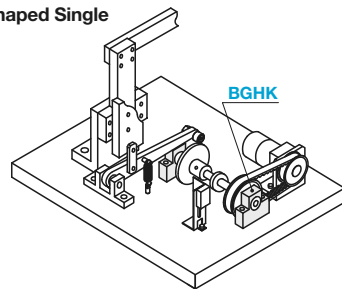


Bearing Accuracy: JIS B 1514 Class 0

Part Number	Type	Bearing No.	h Selection	d	H	L1	d1	L	L2	T	S	dh	DH7	B	R	Bearing Used			Unit Price
																Basic Load Rating		Allowable Rotational Speed	
																Cr (Dynamic) kN	Cor (Static) kN		
C-BGHKA	608ZZ	20	20	8	35	41	5.5	53	29	12	10	18	22	7	11	3.35	1.4	32000	
			25	40	41	5.5	53	29	12	10	15	19	22	6	11	2.7	1.27	30000	
			30	45	41	5.5	53	29	12	10	15	10	22	26	8	13	4.55	1.96	29000
	6900ZZ	30	20	10	35	41	5.5	53	29	12	10	18	22	7	11	3.35	1.4	32000	
			25	40	41	5.5	53	29	12	10	15	19	22	6	11	2.7	1.27	30000	
			30	45	41	5.5	53	29	12	10	15	10	22	26	8	13	4.55	1.96	29000
	6000ZZ	40	20	10	37	46	5.5	58	34	15	10	22	26	8	13	4.55	1.96	29000	
			25	40	46	5.5	58	34	15	10	15	24	30	9	16	5.1	2.39	25000	
			30	47	46	5.5	58	34	15	10	15	24	30	9	16	5.1	2.39	25000	
	6200ZZ	40	20	10	40	54	6.5	68	40	15	10	24	30	9	16	5.1	2.39	25000	
			25	40	54	6.5	68	40	15	10	15	24	30	9	16	5.1	2.39	25000	
			30	50	54	6.5	68	40	15	10	15	24	30	9	16	5.1	2.39	25000	
	6901ZZ	20	20	12	37	46	5.5	58	34	12	10	21	24	6	13	2.89	1.46	27000	
			25	40	46	5.5	58	34	12	10	15	21	24	6	13	2.89	1.46	27000	
			30	47	46	5.5	58	34	12	10	15	21	24	6	13	2.89	1.46	27000	
	6001ZZ	30	20	12	40	54	6.5	68	40	15	10	24	28	8	16	5.1	2.39	26000	
			25	40	54	6.5	68	40	15	10	15	24	28	8	16	5.1	2.39	26000	
			30	50	54	6.5	68	40	15	10	15	24	28	8	16	5.1	2.39	26000	
	6201ZZ	30	20	12	40	54	6.5	68	40	16	10	26	32	10	16	6.1	2.75	22000	
			25	40	54	6.5	68	40	16	10	15	26	32	10	16	6.1	2.75	22000	
			30	50	54	6.5	68	40	16	10	15	26	32	10	16	6.1	2.75	22000	
	6902ZZ	40	20	15	50	54	6.5	68	40	12	15	25	28	7	16	3.65	2	24000	
			25	40	54	6.5	68	40	12	15	15	25	28	7	16	3.65	2	24000	
			30	50	54	6.5	68	40	12	15	15	25	28	7	16	3.65	2	24000	
6002ZZ	50	20	15	50	54	6.5	68	40	15	15	28	32	9	16	5.6	2.83	22000		
		25	40	54	6.5	68	40	15	15	15	28	32	9	16	5.6	2.83	22000		
		30	50	54	6.5	68	40	15	15	15	28	32	9	16	5.6	2.83	22000		

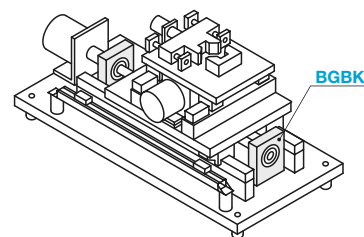
App. Examples of Bearings with Housings

T-Shaped Single



Example of a link mechanism using a cam. The above example uses the T-shaped single type to save the front and back space.

Bottom Mount



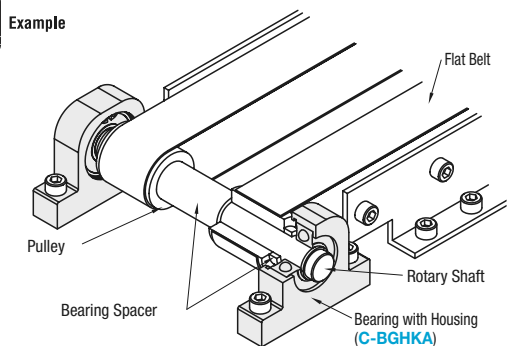
If the space is limited all around as shown in the above example, it is effective to use bottom mount type and fasten it from the plate bottom.



Ordering Example
 Part Number: C-BGHKA 608ZZ - 20




Example



Bearings with Housings

T-Shaped

■ Features: Suitable when lengthwise space is limited.

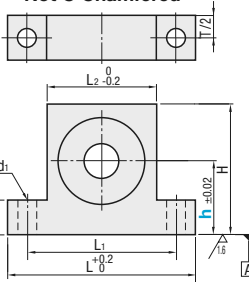


Type	Material	Surface Treatment	Accessory
h Selectable	Steel	Black Oxide	Spring Steel
h Configurable	2000 Aluminum Alloy	Electroless Nickel Plating	
h Configurable, C Chamfered	Stainless Steel	Clear Anodize	EN 1.4301 Equiv.

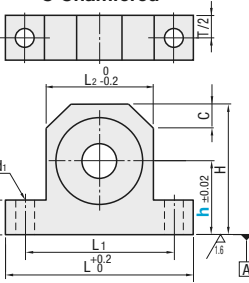
Bearing Accuracy: JIS B 1514 Class 0

⚠ Bearings with Rubber Sealed (VV and DD) are all made of steel.

Not C Chamfered



C Chamfered



C chamfer is done on the both top edges (45°)

Type	Part Number	Seal	h		d	D _{H7}	Tolerance	dh	B	ℓ ₁	H	L	L ₁	L ₂	T	S	C	d ₁					
			Selectable	Configurable 1mm Increment																			
h Selectable	623	ZZ	15 20 25	10-30	3	10	+0.015	7	4	2	h+9	36	26	16	10	5	5	4.5					
	624				4	13	9	5	h+11		38	28	18										
	605				5	14	+0.018	10	5		40	30	20										
	625				5	16	0	12	6		h+12	46	34	22									
	606				6	17	+0.021	13	6		h+13	47	35	23									
	626				6	19		15	6		h+14	49	37	25									
	698				8	19	15-30	16	6		h+14	49	37	25					11	10	5	5.5	
	608				8	22		+0.021	18		7	h+15	53	41					29				12
	628				8	24		0	20		8	h+16	56	44					32				15
	6800				10	19		16	5		h+14	50	38	26					10				
h Configurable	6900	*VV	20 30 40	20-40	10	22	+0.021	19	6	2	h+15	53	41	29	12	10	5	6.5					
	6900				10	26	0	22	8		h+17	58	46	34	15								
	6000				10	30	24	9	h+19		62	50	38	15									
	6200				12	21	+0.021	18	5		h+15	53	41	29	10								
	6801				12	24	0	21	6		h+16	56	44	32	12								
	6901				12	28	+0.025	24	8		h+18	60	48	36	15								
	6001				15	32	0	26	10		h+20	64	52	40	16								
	6201				15	24	+0.021	21	5		h+16	56	44	32	10								
	6802				15	28	0	25	7		h+18	60	48	36	12								
	6902				15	32	+0.025	28	9		h+20	68	54	40	15								
h Configurable C Chamfer	6002	*VV	30 40 50	25-50	17	35	+0.025	29	11	2	h+22	72	58	44	16	10	6.5						
	6002				17	30	+0.021	27	7		h+19	64	52	38	13								
	6202				17	35	+0.025	31	10		h+22	70	56	43	16								
	6903				17	40	0	34	12		h+24	76	62	49	19								
	6003				20	32	+0.025	29	7		h+20	68	53.5	40	13								
	6203				20	37	34	9	h+23		73	59	45	15									
	6804				20	42	36	12	h+25		82	66	50	15									
	6904				20	47	+0.025	40	14		h+28	88	72	56	19								
	6004				25	37	34	7	h+23		82	64	46	13									
	6204				25	42	39	9	h+25		91	69	51	15									
h Configurable C Chamfer	6805	DD	40 50 60	30-60	25	52	+0.030	45	15	2	h+28	96	76	56	19	15	9	11					
	6805				25	42	41	12	h+25		91	71	51	14									
	6905				25	47	+0.025	44	9		h+28	96	76	56	16								
	6005				30	55	48	13	h+32		104	84	64	19									
	6205				30	62	55	16	h+36		112	92	72	22									
	6806				35	62	+0.030	55	14		h+36	112	92	72	21								
	6906				35	72	0	64	17		h+44	148	118	88	26								
	6006				40	68	60	15	h+41		122	102	82	24	20								
	6206				40	80	74	18	h+50		160	130	100	27	25								
	6007				40	80	74	18	h+50		160	130	100	27	25								

⚠ Check for available sizes in the price list. ⚠ No. 623, 624, 605 and 606 are not available for VV (Non-contact Sealed).
 ⚠ For details of Bearing Standards, see P989, 991, 993-996, 1003 and 1004.

Ordering Example

Type	Bearing	Seal	h
BGHK	6000	ZZ	30
BGHF	6901	VV	23

Bearing No.	Seal	Unit Price														
		h Selectable					h Configurable					h Configurable, C Chamfered				
		BGHKB	BGHK	BGHKA	BGHKSA	BGHKS	BGHFB	BGHF	BGHFA	BGHFSA	BGHFS	BGHFB-C	BGHF-C	BGHFA-C	BGHFSA-C	BGHFS-C
623																
624																
605																
625																
606																
626																
698																
608																
628																
6800																
6900																
6000																
6200																
6801																
6901																
6001	ZZ															
6201	Double Shielded (x1.0)															
6802																
6902	*VV															
6002	Non-Contact Sealed Rubber Seal (x1.1)															
6202																
6903	DD															
6003	Contact Sealed Rubber Seal (x1.1)															
6203																
6804																
6904																
6004																
6204																
6805																
6905																
6005																
6205																
6806																
6906																
6006																
6206																
6007																
6207																
6008																
6208																

⚠ The price of sealed VV and DD are the price shown in the table multiplied by 1.1.

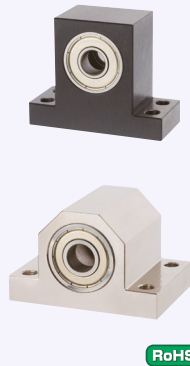
Alterations  Part Number - h - (NA, KCC)
 BGHK6000ZZ - 30 - NA

Alterations	Bearings, Retaining Rings Not Assembled	C2 Chamfer
Code	NA	KCC
Spec.	Bearings and retaining rings are shipped unassembled to the housing.	C2 chamfer is done on the top edge surface. ⚠ Not applicable to C Chamfered Type.

Bearings with Housings

T-Shaped Double Bearings

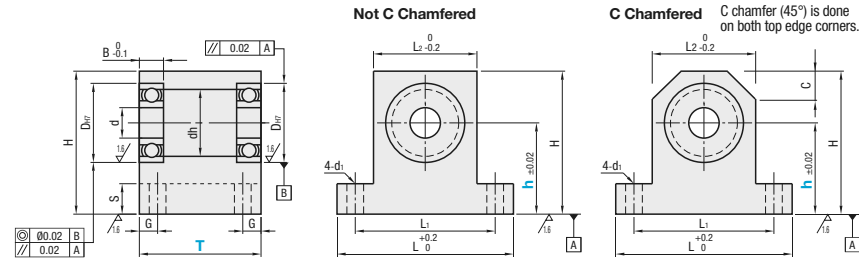
■ **Features:** More stable than the single type and suitable for cantilever applications that bear a load.



RoHS

Type				Material	Surface Treatment	Bearing Accuracy: JIS B 1514 Class 0 6.3 / (1.6 /)
T, h Selectable	T Selectable, h Configurable	T, h Configurable	T Selectable, h Configurable, C Chamfered	Bearing	Housing	
BGHWB	BGHWFB	BGHWTB	BGHWFB-C	Steel	EN 1.1191 Equiv.	Black Oxide
BGHW	BGHWF	BGHW	BGHWF-C		Electroless Nickel Plating	
BGHW	BGHWFA	BGHWTA	BGHWFA-C	2000 Aluminum Alloy	Clear Anodize	
BGHWSA	BGHWFA	BGHWTA	BGHWFA-C			
BGHW	BGHWFS	BGHWTS	BGHWFS-C	Stainless Steel	EN 1.4301 Equiv.	

* Bearings with Rubber Seals (VV and DD) are all made of steel.



Part Number	Type	Bearing No.	Seal	Width T		Height h		d	DH7	Tolerance	dh	B	H	L	L1	L2	G	S	C	d1				
				Selectable Range①	1mm Increment Range②	Selectable	Configurable 1mm Increment																	
Selectable T, h BGHWB BGHW BGHWA BGWWSA BGHWS	ZZ Double Shielded	623		20 30		15		3	10	+0.015 0	7	4	h+9	36	26	16								
		624		20 30		20		4	13	+0.018 0	9	5	h+11	38	28	18	5	5			4.5			
		605		20 30		25		5	14		10	5	h+12	46	34	22								
		625		25 30		20		6	17	12	6	h+13	47	35	23									
		606		25 35		25		6	19	15	6	h+14	49	37	25									
		626		25 35	22~34	36~50	30		8	22		h+15	53	41	29									
		608		25 35		15~30			24	20	8	h+16	56	44	32									
		628		25 35					22	19	6	h+15	53	41	29									
		6900		25 40		15~40			10	26		h+17	58	46	34									
		6000		30 40		20~40			12	28		h+18	60	48	36									
T Selectable, h Configurable BGHWFB BGHW BGHWFA BGHWFA-C BGHWFS	*VV Non-Contact Sealed Rubber Seal	6200		30 40	22~39	41~50	20		15		h+19	62	50	38										
		6200		30 40		20~40			12	28		h+16	56	44	32									
		6901		25 40					32		h+20	64	52	40										
		6001		25 40					28		h+18	60	48	36										
		6201		30 40	22~39	41~60			28		h+21	65	53	41										
		6902		25 50		20~50			15	32		h+20	68	54	40									
		6002		30 50					35		h+22	72	58	44										
		6202		35 50	25~49	51~60	30		30		h+19	64	52	38										
		T Selectable, h Configurable, C Chamfered BGHWFB-C BGHWFA-C BGHWFA-C BGHWFS-C	DD Contact Sealed Rubber Seal	6903		25 50		25~50			17		h+22	70	56	43								
				6003		30 50					40		h+24	76	62	49								
6203				35 50	25~49	51~70	40		37		h+23	73	59	45										
6904				35 50					20	42		h+25	82	66	50									
6004				40 50	30~49	51~80	50		47		h+28	88	72	56										
6204				45 50			60		25	47		h+31	102	82	62									
T, h Configurable BGHWTB BGHW BGHWTA	ZZ (x1.0)			6005		40 60	34~59	61~80	40		52		h+32	104	84	64								
				6205		45 60	37~59	61~90	50		55		h+36	112	92	72								
				6006		40 60		40~80			30	62		h+36	112	92	72							
				6206		50 60	37~59	61~100	50		62		h+36	112	92	72								
		6007		50 60	37~65	66~100	90		35	72		h+44	148	118	88									
		6207		60 70	45~74	75~100	100		40	68		h+41	122	102	82									
BGHWTS	DD (x1.1)	6008		50 70	42~69	71~100	50		68		h+50	160	130	100										
		6208		60 80	50~79	81~100	100		80															

☑ Check for available sizes in the price list. * No. 623, 624, 605 and 606 are not available for VV (Non-contact Sealed). ☒ C chamfer cannot be specified for h Selectable Type.

Ordering Example	Part Number	Type	Bearing	Seal	T	h
	BGHW	6000	ZZ	-	40	30
	BGHWFB-C	6901	VV	-	40	35
	BGHWFA-C	6000	ZZ	-	25	30

(For BGHWFA, add a dash before the bearing number, as shown above.)

☑ The price of sealed VV and DD are the price shown in the table multiplied by 1.1.

Bearing No.	Seal	T, h Selectable Unit Price					T Selectable, h Configurable Unit Price					T, h Configurable Unit Price			
		BGHWB	BGHW	BGHWFA	BGHWFA-C	BGHWFS	BGHWFB	BGHW	BGHWFA	BGHWFA-C	BGHWFS	BGHWTB	BGHW	BGHWTA	BGHWTS
623															
624															
605															
625															
606															
626															
608															
628															
6900															
6000															
6200	ZZ														
6901	(x1.0)														
6001															
6201															
6902	VV														
6002	(x1.1)														
6202															
6903															
6003															
6203	DD														
6904	(x1.1)														
6004															
6204															
6005															
6205															
6006															
6206															
6007															
6207															
6008															
6208															

T Selectable, h Configurable, C Chamfered Unit Price

Bearing No.	Seal	BGHWFB-C	BGHWFA-C	BGHWFA-C	BGHWFA-C	BGHWFS-C
606						
626						
608						
628						
6900						
6000						
6200						
6901						
6001						
6201	ZZ					
6902	(x1.0)					
6002						
6202						
6903						
6003						
6203						
6904						
6004						
6204						
6005						
6205						
6006						
6206						
6007						
6207						
6008						
6208						


Alterations Part Number - T - h - (KCC, KCC, NA)
BGHW6000DD - 30 - 35 - KCC

Alterations	Bearings Not Assembled	C2 Chamfer	C Chamfer
Code	NA	KCC	KCC
Spec.	Free	C2 chamfer is done on the top edge surface.	C chamfer (45°) is done on both top edge corners. (Ordering Code) KCC ☑ Available for T, h Configurable Type only

Bearings with Housings

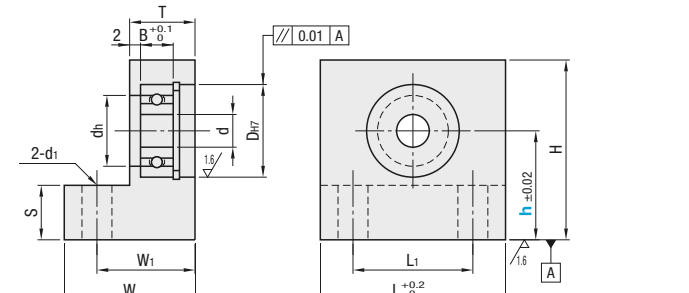
L-Shaped

■ Suitable when crosswise space needs to be secured.



Type		Material		Surface Treatment		Accessory Retaining Ring	
h Selectable	h Configurable	Bearing	Housing	Bearing	Housing	Bearing	Housing
BGLKB	BGLFB	Steel	EN 1.1191 Equiv.	Black Oxide	Spring Steel	EN 1.4301 Equiv.	-
BGLK	BGLF			Electroless Nickel Plating	-		
BGLKA	BGLFA			Clear Anodize	-		
BGLKS	BGLFS			-	-		
		2000 Aluminum Alloy	2000 Aluminum Alloy	Clear Anodize	-	EN 1.4301 Equiv.	-
		Stainless Steel	EN 1.4301 Equiv.	-	-	-	-

Bearing Accuracy: JIS B 1514 Class 0



⚡ Bearings with Rubber Seals (VV and DD) are all made of steel.

Type	Bearing No.	Seal	h		d	Dh7	Tolerance	dh	B	H	L	L1	W	W1	T	S	d1	Unit Price							
			Selectable	Configurable														h Selectable				h Configurable			
			mm	mm														BGLKB	BGLK	BGLKA	BGLKS	BGLFB	BGLF	BGLFA	BGLFS
h Selectable	623	ZZ Double Shielded (x1.0)	15 20 25	15-30	3	10	+0.015	7	4	h+9	20	10	20	15	10	5	4.5								
	4				13	9	5	h+11	22	12	20	15	10												
	605		20 25 30	20-30	5	14	+0.018	10	5	h+11	24	14	20	15	10										
	625				16	0	12	5	h+12	28	16	22	16	10											
	606				17	13	6	h+13	34	22	24	18	12												
	626				19	15	6	h+14	36	24	24	18	12												
	608		25 30 40	25-40	8	22	+0.021	18	7	h+15	38	26	24	18	12	10	5.5								
	628				24	20		8	h+16	34	22	27	21	15											
	6900		*VV Non-Contact Sealed Rubber Seal (x1.1)	30 40 50	30-50	10	26	0	19	6	h+15	32	20	24	18	12	15	6.5							
	6200					30	24	9	h+19	40	28	27	21	15											
6901	24	21				6	h+16	36	24	24	18	12													
6001	12	28				24	8	h+18	40	28	27	21	15												
6201	32	+0.025				26	10	h+20	42	30	28	22	16												
6902	28	+0.021				25	7	h+18	42	30	24	18	12												
6002	40 50 60	40-50	40-50	15	32	+0.025	28	9	h+20	50	36	29	22	15	20	9									
6202				35	0	29	11	h+22	44	30	31	24	17												
6903	*DD Contact Sealed Rubber Seal (x1.1)	30 40 50	30-50	17	30	+0.021	27	7	h+19	42	30	26	20	13	15	11									
6003				35	31	10	h+22	50	36	31	24	16													
6203				40	34	12	h+24	48	36	33	26	20													
6904				37	+0.025	34	9	h+23	45	31	29	22	15												
6204				42	0	36	12	h+25	54	38	35	27	19												
6204				47	40	14	h+28	60	44	36	28	20													
6005				47	41	12	h+28	62	46	35	27	19													
6205				25	52	+0.030	45	15	h+31	70	50	42	32	22											
6006				48	13	h+32	74	54	40	30	20														
6206				55	16	h+36	82	62	43	33	23														

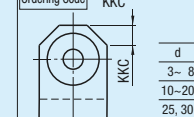
⚡ The price of sealed VV and DD are the price shown in the table multiplied by 1.1. ⚡ Check for available sizes in the price list. ⚡ No. 623, 624, 605 and 606 are not available for VV (Non-contact Sealed).

Ordering Example

Part Number	h
Type Bearing Seal	
BGLK 6000 DD	30
BGLFA 6904 ZZ	45

Alterations


Part Number	h	(KCC, KCC, NA)
BGLF6000ZZ	30	KKC

Alterations Code	Bearings, Retaining Rings Not Assembled		C2 Chamfer	C Chamfer
	NA	KCC		
Spec.	Bearings and retaining rings are shipped unassembled to the housing.	C2 chamfer is done on the top edge surface.	C chamfer (45°) is done on both top edge corners. Ordering Code: KKC	 d KKC 3- 8 5 10-20 10 25, 30 12 ⚡ Applicable to h Configurable Type only.

Bearings with Housings

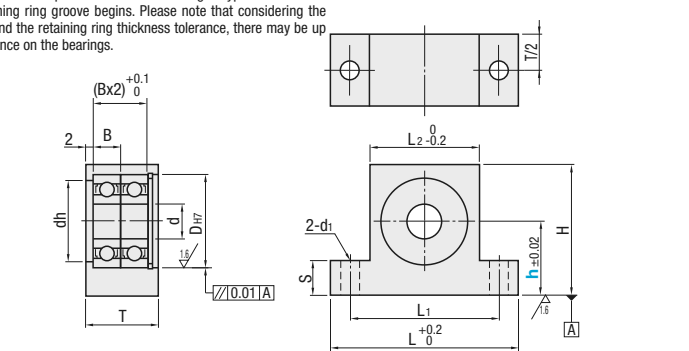
T-Shaped Short Double Bearings

■ Features: Combining the 2 Bearings can save more space on the front and the back than the standard double type.



Type		Material		Surface Treatment		Accessory Retaining Ring			
Bearing	Housing	Bearing	Housing	Bearing	Housing	Bearing	Housing		
BGMWB	Steel	EN 1.1191 Equiv.	Black Oxide	Spring Steel	EN 1.4301 Equiv.	-	-		
BGMW			Electroless Nickel Plating	-					
BGMWS			Stainless Steel	EN 1.4301 Equiv.				-	-

Bearing Accuracy: JIS B 1514 Class 0



⚡ Easier to obtain required radial load ratings when space is limited.
⚡ Bearings with Rubber Seals (VV and DD) are all made of steel.
⚡ The "(Bx2)" dimension for "T-Shaped Short Double Bearings" Type indicates the position where the retaining ring groove begins. Please note that considering the groove width tolerance and the retaining ring thickness tolerance, there may be up to max.0.3 of axial clearance on the bearings.

Type	Bearing No.	Seal	h Selection	d	Dh7	Tolerance	dh	B	H	L	L1	L2	T	S	d1	Unit Price										
																BGMWB	BGMW	BGMWS								
																BGMWB	605	ZZ Double Shielded (x1.0)	15 20 25	5	14	+0.018	10	5	h+11	40
606	6	17	13	6	h+13	47	35	23	18																	
608	20 25 30	8	20	22	0	18	7	h+15	53	41	29	19	18	10	5.5											
6900																19	6		19	6	19	18				
6000																22	22		8	h+17	58	46	34	23		
6901																24	21		6	h+16	56	44	32	18		
6001	20 30 40	12	20	28	0	24	8	h+18	60	48	36	23	19	15	6.5											
6902																25	7	h+18	60	48	36	19				
BGMW	6002	*VV Non-Contact Sealed Rubber Seal (x1.1)	30 40 50	15	32	+0.025	28	9	h+20	68	54	40	24	20	9											
BGMWS	6002															30	+0.021	27	7	h+19	64	52	38	20		
6903	17		35	31	10	h+22	70	56	43	26	15	6.5														
6003													37	+0.025	34	9	h+23	73	59	45	24					
6904	40 50 60	20	42	47	0	36	12	h+25	82	66	50	31	24	15	9											
6004																41	12	h+28	96	76	56					
6005																41	12	h+28	96	76	56					
6006	40 50 80	30	55	+0.030	48	13	h+32	104	84	64	32	20	11													

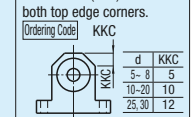
⚡ The price of sealed VV and DD are the price shown in the table multiplied by 1.1. ⚡ Check for available sizes in the price list. ⚡ For details of Bearing Standards, see P989, 991, 993-996, 1003 and 1004. ⚡ No. 605 and 606 are not available for VV (Non-contact Sealed).

Ordering Example

Part Number	h
Type Bearing Seal	
BGMW 6000 ZZ	30

Alterations

Part Number	h	(KCC, KCC, NA)
BGMW6000VV	30	NA

Alterations Code	Bearings, Retaining Rings Not Assembled		C2 Chamfer	C Chamfer
	NA	KCC		
Spec.	Bearings and retaining rings are shipped unassembled to the housing.	C2 chamfer is done on the top edge surface.	C chamfer (45°) is done on both top edge corners. Ordering Code: KKC	 d KKC 5- 8 5 10-20 10 25, 30 12


Bearings with Housings - with Positioning Groove

T-Shaped

Bearings with Housings - with Positioning Groove

T-Shaped Double Bearings

Features: T-shaped bearings with housings suitable for positioning guarantee the symmetry to the datum plane.



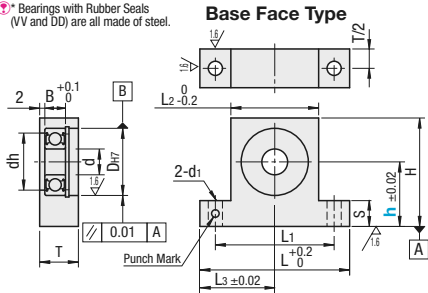
Type		Key Groove Type		Material	Surface Treatment	Accessory Retaining Ring
h Selectable	h Configurable	h Selectable	h Configurable	Bearing	Housing	Housing
BSHKB	BSHFB	BKHKB	BKHWB	Steel	Black Oxide	Spring Steel
BSHK	BSHF	BKHK	BKHF	EN 1.1191 Equiv.	Electroless Nickel Plating	-
BSHKA	-	BKHKA	-	2000 Aluminum Alloy	Clear Anodize	-
BSHKA	-	BKHKA	-	EN 1.4301 Equiv.	-	-
BSHKS	-	BKHKS	-	Stainless Steel	-	-

Bearing Accuracy JIS B 1514 Class 0

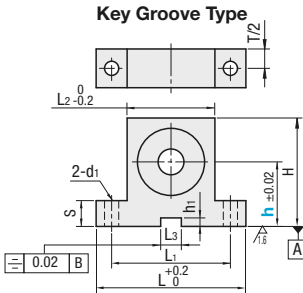
6.3 / (1.6 / 3)

⚠ Bearings with Rubber Seats (VV and DD) are all made of steel.

Base Face Type



Key Groove Type



⚠ The surface of the punch marked side and the surface opposite of the punch mark side are the datum (Refer to App. Example).
⚠ Perpendicularity of the punch marked surface and the bottom surface is 0.02.

Base Face Type		Key Groove Type		Material		Surface Treatment		Accessory Retaining Ring	
h Selectable	h Configurable	h Selectable	h Configurable	Bearing	Housing	Housing	Housing	Housing	Housing
BSHWB	BSHWFB	BKHWB	BKHWFB	Steel	EN 1.1191 Equiv.	Black Oxide	Electroless Nickel Plating	Spring Steel	-
BSHW	BSHWF	BKHW	BKHF	EN 1.1191 Equiv.	2000 Aluminum Alloy	Clear Anodize	-	-	-
BSHWA	-	BKHWA	-	2000 Aluminum Alloy	EN 1.4301 Equiv.	-	-	-	-
BSHWSA	-	BKHWSA	-	Stainless Steel	EN 1.4301 Equiv.	-	-	-	-
BSHWS	-	BKHWS	-	-	-	-	-	-	-

⚠ Bearings with Rubber Seats (VV and DD) are all made of steel.
⚠ The surface of the punch marked side and the surface opposite of the punch mark side are the datum (Refer to App. Example).
⚠ Perpendicularity of the punch marked surface and the bottom surface is 0.02.

Base Face Type		Key Groove Type		Material		Surface Treatment		Accessory Retaining Ring	
h Selectable	h Configurable	h Selectable	h Configurable	Bearing	Housing	Housing	Housing	Housing	Housing
BSHWB	BSHWFB	BKHWB	BKHWFB	Steel	EN 1.1191 Equiv.	Black Oxide	Electroless Nickel Plating	Spring Steel	-
BSHW	BSHWF	BKHW	BKHF	EN 1.1191 Equiv.	2000 Aluminum Alloy	Clear Anodize	-	-	-
BSHWA	-	BKHWA	-	2000 Aluminum Alloy	EN 1.4301 Equiv.	-	-	-	-
BSHWSA	-	BKHWSA	-	Stainless Steel	EN 1.4301 Equiv.	-	-	-	-
BSHWS	-	BKHWS	-	-	-	-	-	-	-

Base Face Type		Key Groove Type		Material		Surface Treatment		Accessory Retaining Ring	
h Selectable	h Configurable	h Selectable	h Configurable	Bearing	Housing	Housing	Housing	Housing	Housing
BSHWB	BSHWFB	BKHWB	BKHWFB	Steel	EN 1.1191 Equiv.	Black Oxide	Electroless Nickel Plating	Spring Steel	-
BSHW	BSHWF	BKHW	BKHF	EN 1.1191 Equiv.	2000 Aluminum Alloy	Clear Anodize	-	-	-
BSHWA	-	BKHWA	-	2000 Aluminum Alloy	EN 1.4301 Equiv.	-	-	-	-
BSHWSA	-	BKHWSA	-	Stainless Steel	EN 1.4301 Equiv.	-	-	-	-
BSHWS	-	BKHWS	-	-	-	-	-	-	-

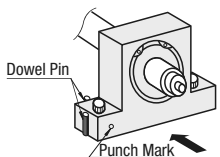
Base Face Type		Key Groove Type		Material		Surface Treatment		Accessory Retaining Ring	
h Selectable	h Configurable	h Selectable	h Configurable	Bearing	Housing	Housing	Housing	Housing	Housing
BSHWB	BSHWFB	BKHWB	BKHWFB	Steel	EN 1.1191 Equiv.	Black Oxide	Electroless Nickel Plating	Spring Steel	-
BSHW	BSHWF	BKHW	BKHF	EN 1.1191 Equiv.	2000 Aluminum Alloy	Clear Anodize	-	-	-
BSHWA	-	BKHWA	-	2000 Aluminum Alloy	EN 1.4301 Equiv.	-	-	-	-
BSHWSA	-	BKHWSA	-	Stainless Steel	EN 1.4301 Equiv.	-	-	-	-
BSHWS	-	BKHWS	-	-	-	-	-	-	-

⚠ The price of sealed VV and DD are the price shown in the table multiplied by 1.1. ⚠ No. 623, 624, 605 and 606 are not available for VV (Non-contact Sealed).

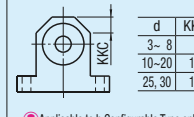
Ordering Example: Part Number **BSHK** Bearing **6000** Seal **ZZ** - **30**

Alterations Example: Part Number **BSHF6000ZZ** - **35** - **KKC**


Example: Base Face Type App. Example



Alterations	Bearings, Retaining Rings Not Assembled	C2 Chamfer	C Chamfer
Code	NA	KCC	KKC
Spec.	Bearings and retaining rings are shipped unassembled to the housing.	C2 chamfer is done on the top edge surface.	C chamfer (45°) is done on both top edge corners. (Ordering Code) KKC



⚠ Applicable to h Configurable Type only.



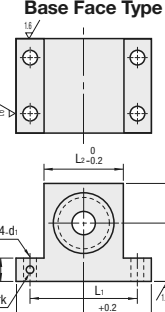
Type		Key Groove Type		Material	Surface Treatment	Accessory Retaining Ring
h Selectable	h Configurable	h Selectable	h Configurable	Bearing	Housing	Housing
BSHWB	BSHWFB	BKHWB	BKHWFB	Steel	Black Oxide	Spring Steel
BSHW	BSHWF	BKHW	BKHF	EN 1.1191 Equiv.	Electroless Nickel Plating	-
BSHWA	-	BKHWA	-	2000 Aluminum Alloy	Clear Anodize	-
BSHWSA	-	BKHWSA	-	Stainless Steel	EN 1.4301 Equiv.	-
BSHWS	-	BKHWS	-	-	-	-

Bearing Accuracy JIS B 1514 Class 0

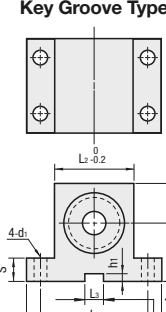
6.3 / (1.6 / 3)

⚠ Bearings with Rubber Seats (VV and DD) are all made of steel.
⚠ The surface of the punch marked side and the surface opposite of the punch mark side are the datum (Refer to App. Example).
⚠ Perpendicularity of the punch marked surface and the bottom surface is 0.02.

Base Face Type



Key Groove Type



⚠ The surface of the punch marked side and the surface opposite of the punch mark side are the datum (Refer to App. Example).
⚠ Perpendicularity of the punch marked surface and the bottom surface is 0.02.

Base Face Type		Key Groove Type		Material		Surface Treatment		Accessory Retaining Ring	
h Selectable	h Configurable	h Selectable	h Configurable	Bearing	Housing	Housing	Housing	Housing	Housing
BSHWB	BSHWFB	BKHWB	BKHWFB	Steel	EN 1.1191 Equiv.	Black Oxide	Electroless Nickel Plating	Spring Steel	-
BSHW	BSHWF	BKHW	BKHF	EN 1.1191 Equiv.	2000 Aluminum Alloy	Clear Anodize	-	-	-
BSHWA	-	BKHWA	-	2000 Aluminum Alloy	EN 1.4301 Equiv.	-	-	-	-
BSHWSA	-	BKHWSA	-	Stainless Steel	EN 1.4301 Equiv.	-	-	-	-
BSHWS	-	BKHWS	-	-	-	-	-	-	-

Base Face Type		Key Groove Type		Material		Surface Treatment		Accessory Retaining Ring	
h Selectable	h Configurable	h Selectable	h Configurable	Bearing	Housing	Housing	Housing	Housing	Housing
BSHWB	BSHWFB	BKHWB	BKHWFB	Steel	EN 1.1191 Equiv.	Black Oxide	Electroless Nickel Plating	Spring Steel	-
BSHW	BSHWF	BKHW	BKHF	EN 1.1191 Equiv.	2000 Aluminum Alloy	Clear Anodize	-	-	-
BSHWA	-	BKHWA	-	2000 Aluminum Alloy	EN 1.4301 Equiv.	-	-	-	-
BSHWSA	-	BKHWSA	-	Stainless Steel	EN 1.4301 Equiv.	-	-	-	-
BSHWS	-	BKHWS	-	-	-	-	-	-	-

Base Face Type		Key Groove Type		Material		Surface Treatment		Accessory Retaining Ring	
h Selectable	h Configurable	h Selectable	h Configurable	Bearing	Housing	Housing	Housing	Housing	Housing
BSHWB	BSHWFB	BKHWB	BKHWFB	Steel	EN 1.1191 Equiv.	Black Oxide	Electroless Nickel Plating	Spring Steel	-
BSHW	BSHWF	BKHW	BKHF	EN 1.1191 Equiv.	2000 Aluminum Alloy	Clear Anodize	-	-	-
BSHWA	-	BKHWA	-	2000 Aluminum Alloy	EN 1.4301 Equiv.	-	-	-	-
BSHWSA	-	BKHWSA	-	Stainless Steel	EN 1.4301 Equiv.	-	-	-	-
BSHWS	-	BKHWS	-	-	-	-	-	-	-

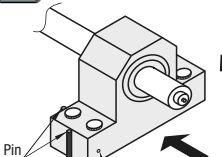
Base Face Type		Key Groove Type		Material		Surface Treatment		Accessory Retaining Ring	
h Selectable	h Configurable	h Selectable	h Configurable	Bearing	Housing	Housing	Housing	Housing	Housing
BSHWB	BSHWFB	BKHWB	BKHWFB	Steel	EN 1.1191 Equiv.	Black Oxide	Electroless Nickel Plating	Spring Steel	-
BSHW	BSHWF	BKHW	BKHF	EN 1.1191 Equiv.	2000 Aluminum Alloy	Clear Anodize	-	-	-
BSHWA	-	BKHWA	-	2000 Aluminum Alloy	EN 1.4301 Equiv.	-	-	-	-
BSHWSA	-	BKHWSA	-	Stainless Steel	EN 1.4301 Equiv.	-	-	-	-
BSHWS	-	BKHWS	-	-	-	-	-	-	-

⚠ The price of sealed VV and DD are the price shown in the table multiplied by 1.1. ⚠ No. 623, 624, 605 and 606 are not available for VV (Non-contact Sealed).

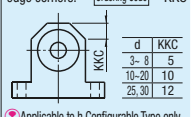
Ordering Example: Part Number **BSHW** Bearing **6000** Seal **ZZ** - **25** - **30**

Alterations Example: Part Number **BSHW6000ZZ** - **25** - **35** - **KKC**

Example: Base Face Type App. Example



Alterations	Bearings Not Assembled	C2 Chamfer	C Chamfer
Code	NA	KCC	KKC
Spec.	Bearings are shipped unassembled to the housing.	C2 chamfer is done on the top edge surface.	C chamfer (45°) is done on both top edge corners. (Ordering Code) KKC




⚠ Applicable to h Configurable Type only.

Bearings with Housings - Low Dust Generation Grease Filled T-Shaped

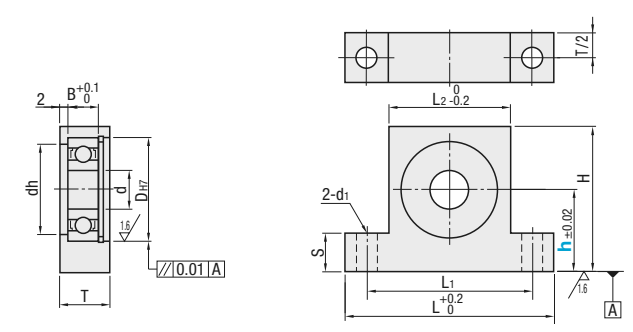
Bearings with Housings - Low Dust Generation Grease Filled T-Shaped Double Bearings

■ Bearings filled with low particle generation grease are integrated. Suitable for use in an environment such as clean room.




Type	Material	Surface Treatment	Accessory
h Selectable	Bearing	Housing	Retaining Ring
S-BGHKSA	Stainless Steel	Clear Anodize	EN 1.4301 Equiv.
S-BGHKSA	EN AW-2017 Equiv.	-	-
S-BGHKSA	EN 1.4301 Equiv.	-	-

Bearing Accuracy: JIS B 1514 Class 0



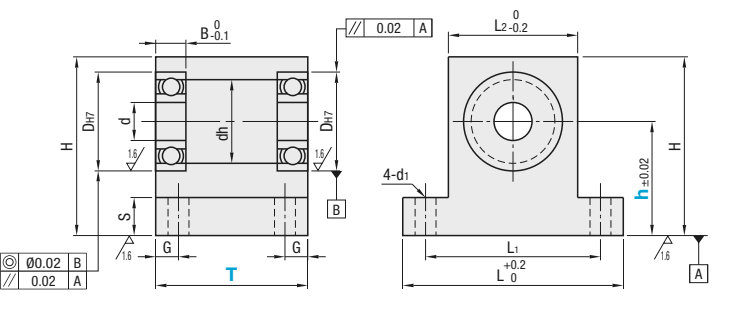
6.3 / (1.6 /)

RoHS



Type	Material	Surface Treatment	Accessory
h Selectable	Bearing	Housing	Retaining Ring
S-BGHWSA	Stainless Steel	Clear Anodize	EN 1.4301 Equiv.
S-BGHWSA	EN AW-2017 Equiv.	-	-
S-BGHWSA	EN 1.4301 Equiv.	-	-

Bearing Accuracy: JIS B 1514 Class 0



6.3 / (1.6 /)

RoHS

Part Number	Type	Bearing No.	h	d	DH7	dh	B	H	L	L1	L2	T	S	d1	Unit Price			
															h Selectable	S-BGHKSA	S-BGHKS	S-BGHFSA
606ZZ	h Selectable	20 25 30	15~30	6	17	13	6	h+13	47	35	23	12	10	5.5				
626ZZ	h Selectable	20 25 30	15~30	6	19	15	6	h+14	49	37	25	12	10	5.5				
608ZZ	h Selectable	20 25 30	15~30	8	22	18	7	h+15	53	41	29	12	10	5.5				
628ZZ	h Selectable	20 25 30	15~30	8	24	20	8	h+16	56	44	32	15	10	5.5				
6900ZZ	h Selectable	20 30 40	20~40	10	22	19	6	h+15	53	41	29	12	10	5.5				
6000ZZ	h Selectable	20 30 40	20~40	10	26	22	8	h+17	58	46	34	15	10	5.5				
6200ZZ	h Selectable	20 30 40	20~40	10	30	24	9	h+19	62	50	38	15	10	5.5				
6901ZZ	h Selectable	20 30 40	20~40	12	24	21	6	h+16	56	44	32	12	10	5.5				
6001ZZ	h Selectable	20 30 40	20~40	12	28	24	8	h+18	60	48	36	15	10	5.5				
6201ZZ	h Selectable	20 30 40	20~40	12	32	26	10	h+20	64	52	40	16	10	5.5				
6902ZZ	h Configurable	30 40 50	25~50	15	28	25	7	h+18	60	48	36	12	15	6.5				
6002ZZ	h Configurable	30 40 50	25~50	15	32	28	9	h+20	68	54	40	15	15	6.5				
6202ZZ	h Configurable	30 40 50	25~50	15	35	29	11	h+22	72	58	44	16	15	6.5				
6903ZZ	h Configurable	30 40 50	25~50	17	30	27	7	h+19	64	52	38	13	15	6.5				
6003ZZ	h Configurable	30 40 50	25~50	17	35	31	10	h+22	70	56	43	16	15	6.5				
6203ZZ	h Configurable	30 40 50	25~50	17	40	34	12	h+24	76	62	49	19	15	6.5				
6904ZZ	h Configurable	40 50 60	30~60	20	37	34	9	h+23	73	59	45	15	9	6.5				
6004ZZ	h Configurable	40 50 60	30~60	20	42	36	12	h+25	82	66	50	19	9	6.5				
6204ZZ	h Configurable	40 50 60	30~60	20	47	40	14	h+28	88	72	56	23	9	6.5				

Part Number	Type	Bearing No.	T	h	d	DH7	dh	B	H	L	L1	L2	G	S	d1	Unit Price		
																h Selectable	S-BGHWSA	S-BGHWS
606ZZ	h Selectable	20 25 30	15~30	6	17	13	6	h+13	47	35	23	12	10	5.5				
626ZZ	h Selectable	20 25 30	15~30	6	19	15	6	h+14	49	37	25	12	10	5.5				
608ZZ	h Selectable	20 25 30	15~30	8	22	18	7	h+15	53	41	29	12	10	5.5				
628ZZ	h Selectable	20 25 30	15~30	8	24	20	8	h+16	56	44	32	15	10	5.5				
6900ZZ	h Selectable	20 30 40	20~40	10	22	19	6	h+15	53	41	29	12	10	5.5				
6000ZZ	h Selectable	20 30 40	20~40	10	26	22	8	h+17	58	46	34	15	10	5.5				
6200ZZ	h Selectable	20 30 40	20~40	10	30	24	9	h+19	62	50	38	15	10	5.5				
6901ZZ	h Selectable	20 30 40	20~40	12	24	21	6	h+16	56	44	32	12	10	5.5				
6001ZZ	h Selectable	20 30 40	20~40	12	28	24	8	h+18	60	48	36	15	10	5.5				
6201ZZ	h Selectable	20 30 40	20~40	12	32	26	10	h+20	64	52	40	16	10	5.5				
6902ZZ	h Configurable	30 40 50	25~50	15	28	25	7	h+18	60	48	36	12	15	6.5				
6002ZZ	h Configurable	30 40 50	25~50	15	32	28	9	h+20	68	54	40	15	15	6.5				
6202ZZ	h Configurable	30 40 50	25~50	15	35	29	11	h+22	72	58	44	16	15	6.5				
6903ZZ	h Configurable	30 40 50	25~50	17	30	27	7	h+19	64	52	38	13	15	6.5				
6003ZZ	h Configurable	30 40 50	25~50	17	35	31	10	h+22	70	56	43	16	15	6.5				
6203ZZ	h Configurable	30 40 50	25~50	17	40	34	12	h+24	76	62	49	19	15	6.5				
6904ZZ	h Configurable	40 50 60	30~60	20	37	34	9	h+23	73	59	45	15	9	6.5				
6004ZZ	h Configurable	40 50 60	30~60	20	42	36	12	h+25	82	66	50	19	9	6.5				
6204ZZ	h Configurable	40 50 60	30~60	20	47	40	14	h+28	88	72	56	23	9	6.5				

• Low Dust Generation Bearings P.1009

Ordering Example

Part Number - h

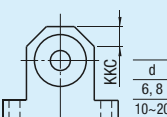
S-BGHKSA6200ZZ - 30

S-BGHKSA6902ZZ - 37

Alterations

Part Number - h - (NA, KCC, KKC)

S-BGHFS6000ZZ - 30 - KKC

Alterations	Bearings, Retaining Rings Not Assembled	C2 Chamfer	C Chamfer
Code	NA	KCC	KKC
Spec.	Bearings and retaining rings are shipped unassembled to the housing.	C2 chamfer is done on the top edge surface.	C chamfer (45°) is done on both top edge corners. Ordering Code KKC  d KKC 6, 8 5 10-20 10 Applicable to h Configurable Type only.

Ordering Example

Part Number - T - h

S-BGHWS6901ZZ - 40 - 30

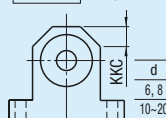
S-BGHWSA-6000ZZ - 25 - 35

For S-BGHWSA, add a dash before the bearing number, as shown above.

Alterations


Part Number - T - h - (NA, KCC, KKC)

S-BGHWSA-6902ZZ - 50 - 30 - KKC

Alterations	Bearings Not Assembled	C2 Chamfer	C Chamfer
Code	NA	KCC	KKC
Spec.	Bearings are shipped unassembled to the housing.	C2 chamfer is done on the top edge surface.	C chamfer (45°) is done on both top edge corners. Ordering Code KKC  d KKC 6, 8 5 10-20 10 Applicable to h Configurable Type only.

Bearings with Housings

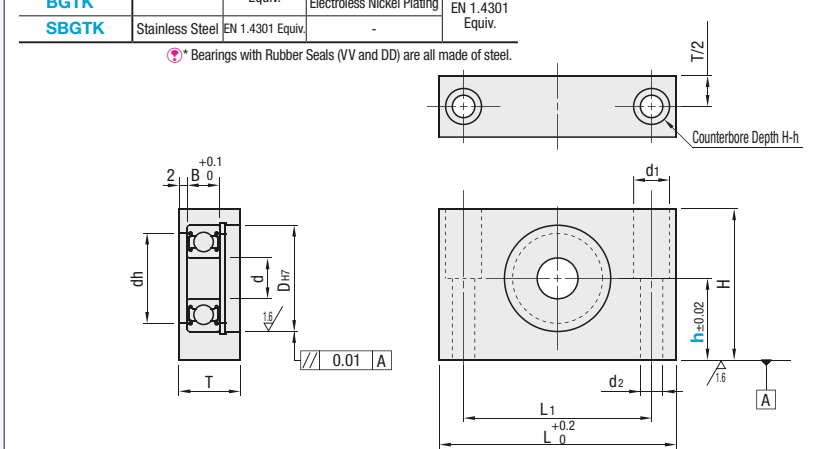
Blocks



Type	Material		Surface Treatment	Accessory
	Bearing	Housing	Housing	Retaining Ring
BGTKB	Steel	EN 1.1191 Equiv.	Black Oxide	Spring Steel
BGTK	Steel	EN 1.1191 Equiv.	Electroless Nickel Plating	EN 1.4301 Equiv.
SBGTK	Stainless Steel	EN 1.4301 Equiv.	-	EN 1.4301 Equiv.

Bearing Accuracy: JIS B 1514 Class 0
 $\sqrt{0.03} / (\sqrt{1.5})$

* Bearings with Rubber Seals (VV and DD) are all made of steel.



Type	Part Number			h Selection	d	DH7	Tolerance	dh	B	H	L	L1	T	d1	d2	Unit Price				
	Bearing No.	Seal														BGTKB	BGTK	SBGTK		
BGTKB	608			15 20	8	22	+0.021 0	18	7	h+15	53	41	12	9.5	5.5					
	628			15 20		24		20	8	h+16	56	44	15							
	6900			20 25		22		19	6	h+15	53	41	12							
	6000			20 25	10	26	+0.025 0	22	8	h+17	58	46	15							
	6200			20 25		30		24	9	h+19	62	50	15							
	6901		ZZ	20 25		24		21	6	h+16	56	44	12							
	6001			20 25	12	28	+0.021 0	24	8	h+18	60	48	15							
	6201		VV	20 25		32		26	10	h+20	64	52	16							
	6902		Non-Contact Sealed Rubber Seal (x1.1)	20 25		28		25	7	h+18	60	48	12							
	6002			20 25	15	32	+0.025 0	28	9	h+20	68	54	15							
	6202		DD	25 30		35		29	11	h+22	72	58	16							
	6903		Contact Sealed Rubber Seal (x1.1)	20 25		30		27	7	h+19	64	52	13							
	6003			25 30	17	35	+0.021 0	31	10	h+22	70	56	16			11	6.5			
	6203			25 30		40		34	12	h+24	76	62	19							
	6904			25 30		37		34	9	h+23	73	59	15							
	6004			25 30	20	42	+0.025 0	36	12	h+25	82	66	19			14	9			
	6204			30 35		47		40	14	h+28	88	72	19							

* The price of sealed VV and DD are the price shown in the table multiplied by 1.1.

Ordering Example

Part Number	h
Type Bearing Seal	
BGTKB 6900 ZZ	- 25
BGTK 6002 VV	- 20


Alterations

Part Number	h	(NA)
BGTK6903ZZ	- 25	- NA

Alteration Code	Bearings, Retaining Rings Not Assembled NA
Spec.	Bearings and retaining rings are shipped unassembled to the housing.

Bearings with Housings

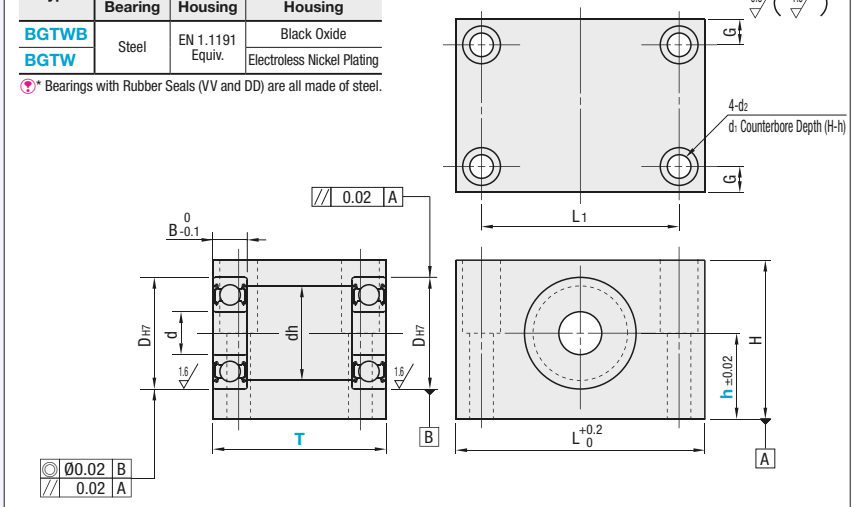
Block Double Bearings



Type	Material		Surface Treatment
	Bearing	Housing	Housing
BGTWB	Steel	EN 1.1191 Equiv.	Black Oxide
BGTW	Steel	EN 1.1191 Equiv.	Electroless Nickel Plating

Bearing Accuracy: JIS B 1514 Class 0
 $\sqrt{0.03} / (\sqrt{1.5})$

* Bearings with Rubber Seals (VV and DD) are all made of steel.



Type	Part Number			h Selection	d	DH7	Tolerance	dh	B	H	L	L1	G	d1	d2	Unit Price				
	Bearing No.	Seal														BGTWB	BGTW			
BGTWB	608			15 20	8	22	+0.021 0	18	7	h+15	53	41	6	9.5	5.5					
	628			15 20		24		20	8	h+16	56	44								
	6900			20 25		22		19	6	h+15	53	41								
	6000			20 25	10	26	+0.025 0	22	8	h+17	58	46								
	6200			20 25		30		24	9	h+19	62	50								
	6901		ZZ	20 25		24		21	6	h+16	56	44								
	6001			20 25	12	28	+0.021 0	24	8	h+18	60	48								
	6201		VV	20 25		32		26	10	h+20	64	52								
	6902		Non-Contact Sealed Rubber Seal (x1.1)	20 25		28		25	7	h+18	60	48								
	6002			20 25	15	32	+0.025 0	28	9	h+20	68	54								
	6202		DD	25 30		35		29	11	h+22	72	58								
	6903		Contact Sealed Rubber Seal (x1.1)	20 25		30		27	7	h+19	64	52								
	6003			25 30	17	35	+0.021 0	31	10	h+22	70	56				7	11	6.5		
	6203			25 30		40		34	12	h+24	76	62								
	6904			25 30		37		34	9	h+23	73	59								
	6004			25 30	20	42	+0.025 0	36	12	h+25	82	66				8	14	9		
	6204			30 35		47		40	14	h+28	88	72								

* The price of sealed VV and DD are the price shown in the table multiplied by 1.1.

Ordering Example

Part Number	T	h
Type Bearing Seal		
BGTW 6201 VV	- 30	- 20
BGTWB 6000 DD	- 25	- 20

Alterations



Part Number	T	h	(NA)
BGTW608VV	- 25	- 20	- NA

Alteration Code	Bearings Not Assembled NA
Spec.	Bearings are shipped unassembled to the housing.

Bearings with Housings

Front Mount

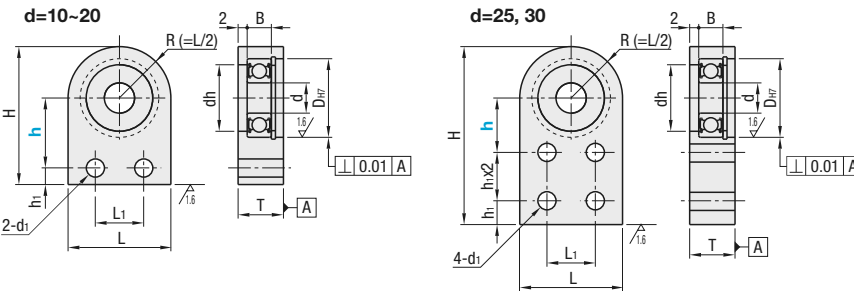
■ Features: For limited installation spaces.

Type	Material		Surface Treatment	Accessory Retaining Ring
	Bearing	Housing	Housing	
BGSMAB	Steel	EN 1.1191 Equiv.	Black Oxide	Spring Steel
BGSMA	Stainless Steel	EN 1.4301 Equiv.	Electroless Nickel Plating	EN 1.4301 Equiv.
SBGSMA	Stainless Steel	EN 1.4301 Equiv.	-	-

Bearing Accuracy: JIS B 1514 Class 0

* Bearings with Rubber Seals (VV and DD) are all made of steel.



Type	Part Number	Bearing No.	Seal	h Selection	d	DH7	Tolerance	dh	B	H	h1	L	L1	T	d1	Unit Price				
																BGSMAB	BGSMA	SBGSMA		
BGSMAB BGSMA SBGSMA	6900		ZZ Double Shielded (x1.0)	20 25 30	10	22	+0.021 0	19	6	h+24	7	34	14	12	6					
	6000							22	8							15				
	6200							24	9	h+26						38	14	10		
	6901							21	6	h+23						32	12			
	6001							24	8	h+25						36	15			
	6201							26	10	h+27						40	16			
	6902		VV Non-Contact Sealed Rubber Seal (x1.1)	25 30 40	15	28	+0.021 0	25	7	h+29	9	40	18	15	8					
	6002							28	9	h+31.5						45	16			
	6202							29	11	h+31.5						45	16			
	6904		DD Contact Sealed Rubber Seal (x1.1)	35 45 55	20	37	+0.025 0	34	9	h+36	11	50	22	19	10					
	6004							36	12	h+39						56	19			
	6204							40	14	h+39						56	15			
	6905							39	9							56	15			
	6005							41	12	h+67						56	19			
	6205							41	12	h+67						56	19			
	6906		ZZ Double Shielded (x1.0)	40 45 55	30	47	+0.030 0	44	9		13	56	26	16	12					
	6006							48	13	h+71.5						65	19			

* The price of sealed VV and DD are the price shown in the table multiplied by 1.1.

Ordering Example

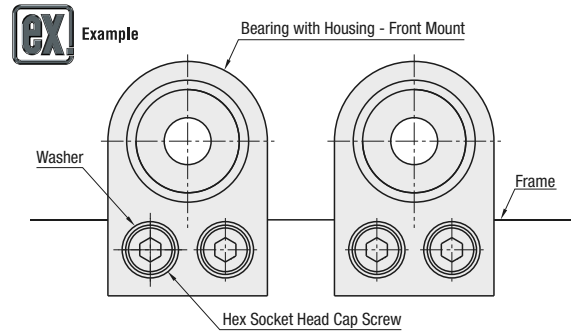
Part Number	Type	Bearing	Seal	h
BGSMA 6000	VV	-	20	
BGSMAB 6204	ZZ	-	35	

Alterations

Part Number	h	(NA)
BGSMA6000ZZ	20	NA

Alteration Code	Bearings, Retaining Rings Not Assembled
NA	



Spec. Bearings and retaining rings are shipped unassembled to the housing.



Bearings with Housings

Front Mount, Shouldered

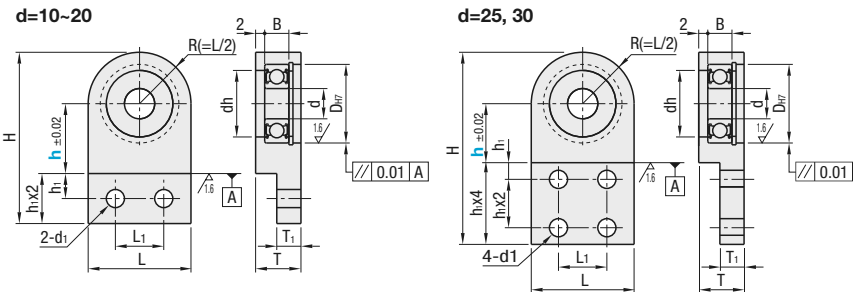
■ Features: Improved installation height accuracy with built-in shoulders.

Type	Material		Surface Treatment	Accessory Retaining Ring
	Bearing	Housing	Housing	
BGSNAB	Steel	EN 1.1191 Equiv.	Black Oxide	Spring Steel
BGSNA	Stainless Steel	EN 1.4301 Equiv.	Electroless Nickel Plating	EN 1.4301 Equiv.
SBGSNA	Stainless Steel	EN 1.4301 Equiv.	-	-

Bearing Accuracy: JIS B 1514 Class 0

* Bearings with Rubber Seals (VV and DD) are all made of steel.



Type	Part Number	Bearing No.	Seal	h Selection	d	DH7	Tolerance	dh	B	H	h1	L	L1	T	T1	d1	Unit Price				
																	BGSNAB	BGSNA	SBGSNA		
BGSNAB BGSNA SBGSNA	6900		ZZ Double Shielded (x1.0)	20 25 30	10	22	+0.021 0	19	6	h+31	7	34	14	12	8	6					
	6000							22	8								15				
	6200							24	9	h+33							38	14	10		
	6901							21	6	h+30							32	12			
	6001							24	8	h+32							36	15			
	6201							26	10	h+34							40	16			
	6902		VV Non-Contact Sealed Rubber Seal (x1.1)	25 30 40	15	28	+0.021 0	25	7	h+38	9	40	18	15	10	8					
	6002							28	9	h+40.5							45	16			
	6202							29	11	h+40.5							45	16			
	6904		DD Contact Sealed Rubber Seal (x1.1)	30 40 50	20	37	+0.025 0	34	9	h+47	11	50	22	19	13	10					
	6004							36	12	h+50							56	19			
	6204							40	14	h+50							56	15			
	6905							39	9								56	15			
	6005							41	12	h+80							56	19			
	6205							41	12	h+80							56	19			
	6906		ZZ Double Shielded (x1.0)	35 45 50	30	47	+0.030 0	44	9		13	56	26	16	11	12					
	6006							48	13	h+84.5							65	19			

* The price of sealed VV and DD are the price shown in the table multiplied by 1.1.

Ordering Example

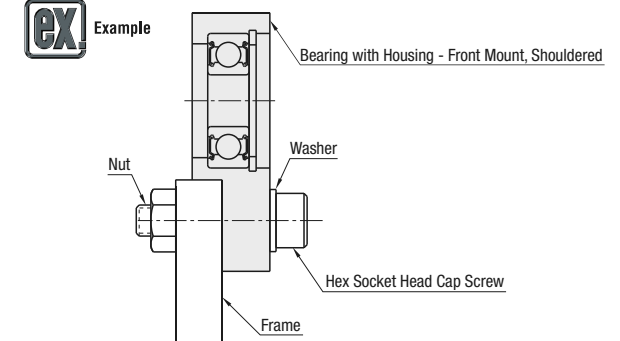
Part Number	Type	Bearing	Seal	h
BGSNA 6200	VV	-	30	
BGSNAB 6000	ZZ	-	30	

Alterations

Part Number	h	(NA)
BGSNA6000ZZ	25	NA

Alteration Code	Bearings, Retaining Rings Not Assembled
NA	

Spec. Bearings and retaining rings are shipped unassembled to the housing.



Bearings with Housings - Outer Ring Captured - Overview

Bearings with Housings

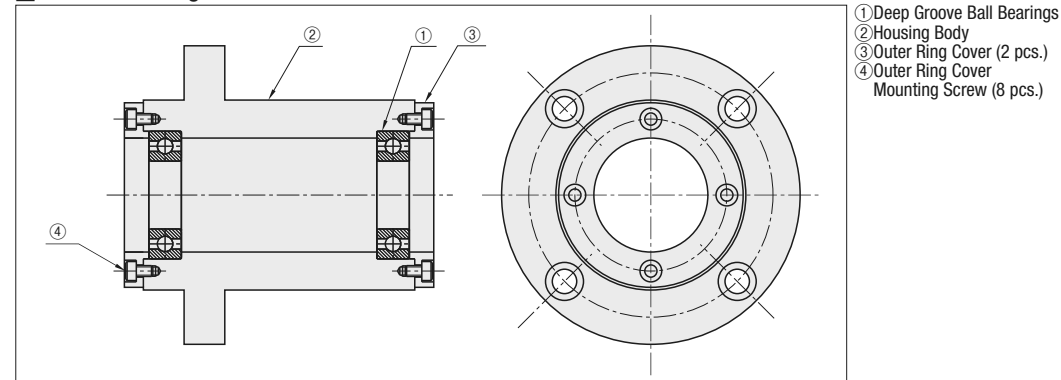
Outer Ring Captured

Bearings with Housings, Outer Ring Captured

Features

Bearings with Housings Outer Ring Captured Type have outer ring covers as standard features, which prevents the bearing outer rings from moving in thrust directions.

Construction Diagram



- ① Deep Groove Ball Bearings
- ② Housing Body
- ③ Outer Ring Cover (2 pcs.)
- ④ Outer Ring Cover Mounting Screw (8 pcs.)

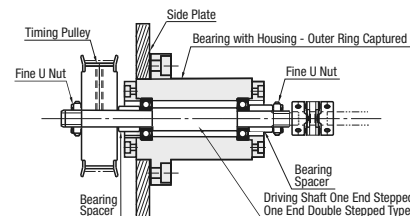
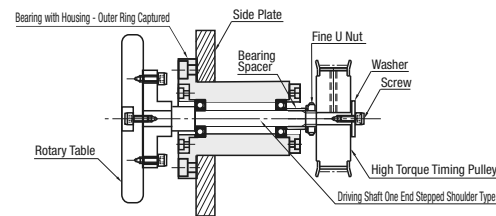
Application

Suitable for relatively high-loading uses such as heavy load / high-speed applications. (When used to support thrust loads, please consider Angular Contact Bearings with Housings on P.981-986.)

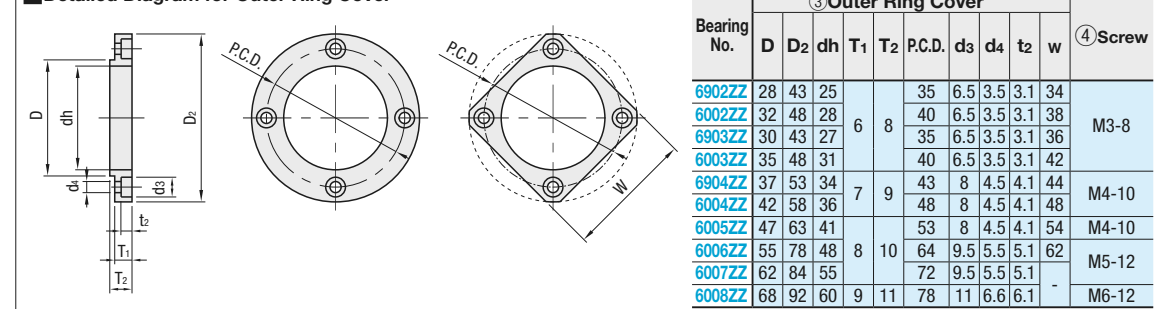
App. Example

App. Example ① (Standard)

App. Example ② (Pilot)



Detailed Diagram for Outer Ring Cover



Type	① Bearing	② Housing	③ Outer Ring Cover	④ Outer Ring Cover Mounting Screw	
	Material	Material	Surface Treatment	Material	Surface Treatment
GBGCB	EN 1.3505 Equiv.	EN 1.1191 Equiv.	Black Oxide	EN 1.7220 Equiv.	Black Oxide
GBGC			Electroless Nickel Plating	EN 1.4301 Equiv.	-

For * marked L dimensions in Standards Table, a relief is added on the pilot O.D., and D₁₉₆ effective length applies to E dimensions only.

Bearing Accuracy: JIS B 1514 Class 0

Type	Bearing No.	L Selection			d	Dh7	Tolerance	B	b ₁	H	D ₂	T	dh	*E	D ₁₉₆	Tolerance	P.C.D.	d ₁	d ₂	H ₁	T ₁
		30	50	70																	
GBGCB (Black Oxide)	6902ZZ	30	50	70	15	28	+0.021 0	7	9	70	43	12	25	-	45	-0.009 -0.025	57	11	6.6	6.5	6
	6002ZZ	40	60	*80	32	30	+0.025 0	9	11	75	48	27	18	45	62						
	6903ZZ	40	60	*80	17	30	+0.021 0	7	9	70	43	31	31	50	57	62					
	6003ZZ	40	60	*80	35	35	+0.025 0	10	12	75	48	34	-	55	70	-0.010 -0.029	75	14	9	8.5	7
6904ZZ	40	60	80	20	37	9		11	87	53	15	36	22	60	80						
GBGC (Electroless Nickel Plating)	6004ZZ	50	70	*90	42	42	+0.030 0	12	14	92	58	18	48	80	100	-0.012 -0.034	80	17.5	11	10.5	8
	6005ZZ	50	80	*100	25	47		12	14	98	63	41	41	65	80						
	6006ZZ	50	80	*100	30	55	13	15	120	78	18	48	27	86	106	116					
	6007ZZ	70	*100	35	62	62	14	16	126	84	18	55	27	86	106	116					
6008ZZ	70	100	40	68	68	15	17	140	92	20	60	-	95	116	116						

Ordering Example: Part Number GBGCB 6903ZZ - L 40

Bearing No.	L	GBGCB		GBGC	
		Unit Price	Volume Discount Rate	Unit Price	Volume Discount Rate
6902ZZ	30	1 pc.	2-4 pcs.	1 pc.	2-4 pcs.
	50				
	70				
6002ZZ	40				
	60				
	80				
6903ZZ	40				
	60				
	80				
6003ZZ	40				
	60				
	80				
6904ZZ	40				
	60				
	80				
6004ZZ	50				
	70				
	90				
6005ZZ	50				
	80				
	100				
6006ZZ	50				
	80				
	100				
6007ZZ	70				
	100				
	100				
6008ZZ	70				
	100				
	100				

*For orders larger than indicated quantity, please request a quotation.

Bearings with Housings

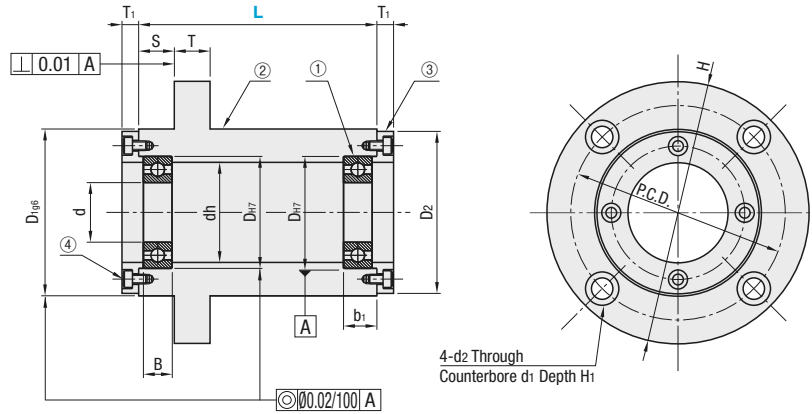
Outer Ring Captured, Pilot

Bearings with Housings

Outer Ring Captured, T-Shaped



Type	① Bearing		② Housing		③ Outer Ring Cover		④ Outer Ring Cover Mounting Screw	
	Material	Material	Surface Treatment	Material	Surface Treatment	Material	Surface Treatment	
GBGYB	EN 1.3505 Equiv.	EN 1.1191 Equiv.	Black Oxide	EN 1.7220 Equiv.	Black Oxide			
GBGY			Electroless Nickel Plating	EN 1.4301 Equiv.	-			



RoHS

Bearing Accuracy: JIS B 1514 Class 0

Part Number	Type	Bearing No.	L Selection	S	d	Dh7	Tolerance	B	b1	H	D2	T	dh	D196	Tolerance	P.C.D.	d1	d2	H1	T1
GBGYB (Black Oxide)		6902ZZ	40 60 80	10	15	28	+0.021 0	7	9	70	43	12	25	45	-0.009 -0.025	57	11	6.6	6.5	6
	6002ZZ	50 70 90	32			+0.025 0	9	11	75	48	28		50	62						
	6903ZZ	50 70 90	30		+0.021 0	7	9	70	43	27	45		57							
	6003ZZ	60 80 100	35			10	12	75	48	31	50		62							
GBGY (Electroless Nickel Plating)		6904ZZ	60 80 100	15	20	37	+0.025 0	9	11	87	53	15	34	55	-0.010 -0.029	70	14	9	8.5	7
	6004ZZ	70 100	42				12	14	92	58	36		60	75						
	6005ZZ	70 100	25		47	13	15	98	63	41	65		80							
	6006ZZ	70 100	30		55	13	15	120	78	48	80		100							
	6007ZZ	80 100	35	62	14	16	126	84	55	86	106									
	6008ZZ	80 100	20	40	68	15	17	140	92	20	60	95	116	17.5	11	10.5	9			

Ordering Example: **Part Number** [Type] [Bearing] - [L]
GBGYB 6005ZZ - 70

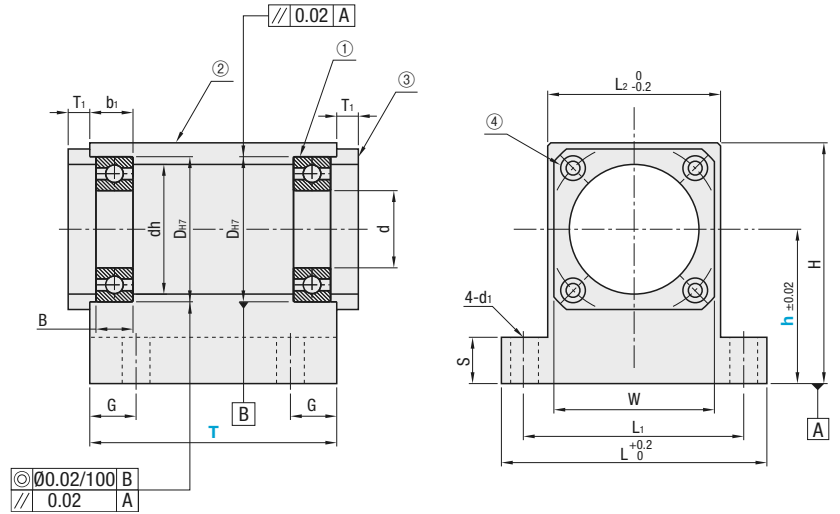
Bearing No.	L	GBGYB		GBGY	
		Unit Price	Volume Discount Rate	Unit Price	Volume Discount Rate
6902ZZ	40				
	60				
	80				
6002ZZ	50				
	70				
	90				
6903ZZ	50				
	70				
	90				
6003ZZ	60				
	80				
	100				
6904ZZ	60				
	80				
	100				

Bearing No.	L	GBGYB		GBGY	
		Unit Price	Volume Discount Rate	Unit Price	Volume Discount Rate
6004ZZ	70				
	100				
6005ZZ	70				
	100				
6006ZZ	70				
	100				
6007ZZ	80				
	100				
6008ZZ	80				
	100				

For orders larger than indicated quantity, please request a quotation.



Type	① Bearing		② Main Body		③ Outer Ring Cover		④ Outer Ring Cover Mounting Screw	
	Material	Material	Surface Treatment	Material	Surface Treatment	Material	Surface Treatment	
GBGWB	EN 1.3505 Equiv.	EN 1.1191 Equiv.	Black Oxide	EN 1.7220 Equiv.	Black Oxide			
GBGW			Electroless Nickel Plating	EN 1.4301 Equiv.	-			



RoHS

Bearing Accuracy: JIS B 1514 Class 0

Part Number	Type	Bearing No.	Width T Selectable	Height h Selectable	d	Dh7	Tolerance	B	b1	H	dh	L	L1	L2	S	G	W	d1	T1
GBGWB (Black Oxide)		6902ZZ	30 50	30 40 50	15	28	+0.021 0	7	9	h+18	25	60	48	36	12	7.5	34	6.6	6
	6002ZZ	40 60	30 40 50	32		+0.025 0	9	11	h+20	28	64	52	40	38					
	6903ZZ	40 60	30 40 50	30		+0.021 0	7	9	h+19	27	62	50	38	36					
	6003ZZ	40 60	30 40 50	35			10	12	h+22	31	68	56	44	42					
GBGW (Electroless Nickel Plating)		6904ZZ	40 60	40 50 60	20	37	+0.025 0	9	11	h+23	34	76	61	46	15	10	44	9	7
	6004ZZ	50 80	40 50 60	42			12	14	h+25	36	80	65	50	48					
	6005ZZ	50 80	50 60	25		47	12	14	h+28	41	86	71	56	54					
	6006ZZ	50 80	50 60	30		55	+0.030 0	13	15	h+32	48	104	84	64					

Ordering Example: **Part Number** [Type] [Bearing] - [T] - [h]
GBGWB 6903ZZ - 40 - 40

Bearing No.	T	GBGWB		GBGW	
		Unit Price	Volume Discount Rate	Unit Price	Volume Discount Rate
6902ZZ	30				
	50				
6002ZZ	40				
	60				
6903ZZ	40				
	60				
6003ZZ	40				
	60				
6904ZZ	40				
	60				
6004ZZ	50				
	80				
6005ZZ	50				
	80				
6006ZZ	50				
	80				

For orders larger than indicated quantity, please request a quotation.

Angular Contact Bearings with Housings

Overview

Angular Contact Bearings with Housings

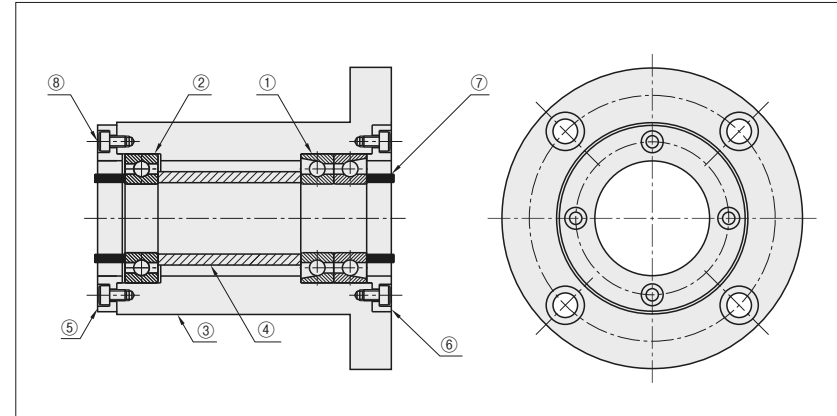
Features

The Angular Contact Bearings with Housing set is a unit holder which includes Back-to-Back Bearings.

Application

Suitable for heavy load applications with both radial and axial load.

Construction Diagram

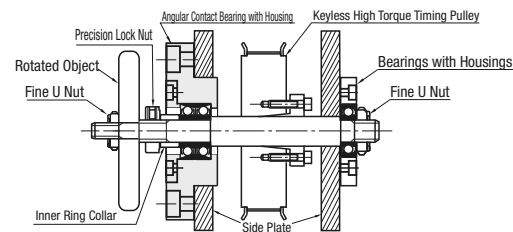


- ① Angular Contact Back-to-Back Combination
- ② Deep Groove Ball Bearing
- ③ Housing Body
- ④ Inner Ring Spacer
- ⑤ Standard Cover
- ⑥ Standard Cover **N**
Oil Seal Cover **S**
O-Ring Cover **R** Selectable
- ⑦ Collar for Inner Ring (2 pcs.)
- ⑧ Screw for Cover (8 pcs.)

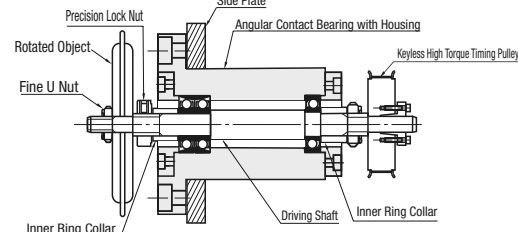
Product Lineup and Application

Two New types, the flanged type and the pilot type have been added to Angular Contact Back-to-Back Combination + Deep Groove Ball Bearing Type.
A compact Angular Contact Back-to-Back Combination Type that can be combined with other bearing housings has also been newly added.

App. Example① (Angular Contact Back-to-Back Combination)



App. Example② (Angular Contact Back-to-Back Combination + Deep Groove Ball Bearing)



Cautions on Angular Contact Bearings with Housings Selection

- MISUMI angular contact bearings are designed for grease lubrication.
- Angular contact bearings are not pre-greased at the time of shipment. Please apply grease before use.
- An outer ring cover for grease splash prevention is included with the angular contact bearings.
- For grease splash prevention, an outer ring fixing cover can be selected from type S (for oil seal) and type R (for O-ring). An oil seal and O-ring are included as standard.
- An inner ring collar is included for use with bearing lock nuts. (The collar is not necessary on stepped shafts.)

For Back-to-Back Combination Type (ABGEB, ABGE)

When the rotary shaft is long, it can be used in combination with the regular bearing with housings for deep groove ball bearings. (Refer to App. Example)

For Back-to-Back Combination + Deep Groove Type (ABGCB, ABGC, ABGYB, ABGY)

- A standard cover for outer ring fixing is included with the radial bearing (deep groove ball bearing side).
- Outer ring of the radial bearing is not fixed in thrust direction.
- A spacer for the inner ring is included as an accessory that can be used to axially tie the inner ring of the angular contact bearing and the deep groove ball bearing together.

Mounting Procedures for Angular Contact Bearings with Housings

1. Apply grease on an angular contact bearings.
2. Put the bearings together in a back-to-back combination.
3. Insert the rotary shaft into the angular contact bearings set.
4. Insert the shaft into the inner ring spacer.
5. Insert the angular contact bearings into the holder.
6. Install the deep groove ball bearing on the shaft, and then into the holder.
7. Mount the outer ring cover with the screws by tightening them evenly.
8. Install the inner ring collar on the shaft with a bearing nut.
9. Verify whether the shaft rotates smoothly.

Angular Contact Bearings with Housings

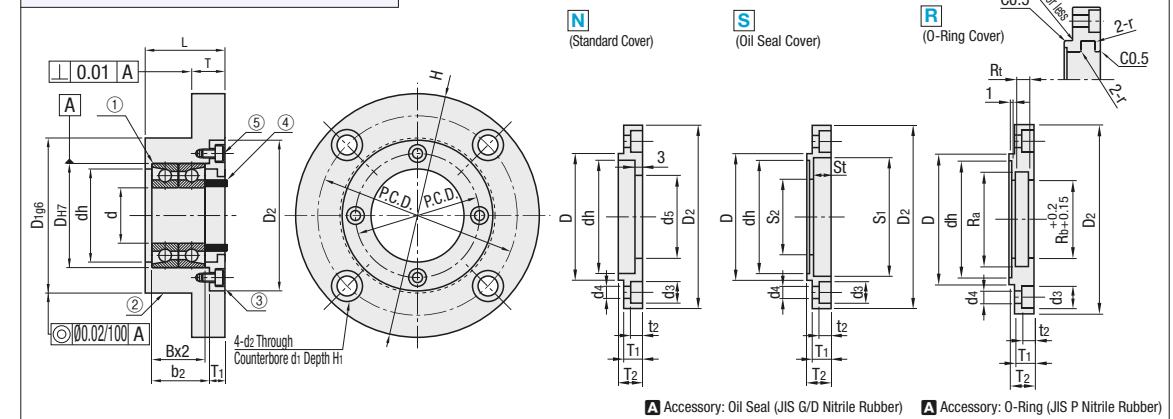
Angular Contact Back-to-Back Combination - Flanged



Type	① Angular Contact Bearings (Back-to-Back Combination)	② Housing	④ Inner Ring Collar	⑤ Cover Mounting Screw	
	Material	Material	Surface Treatment	Material	Surface Treatment
ABGEB	EN 1.3505 Equiv.	EN 1.1191 Equiv.	Black Oxide	EN 1.7220 Equiv.	Black Oxide
ABGE	EN 1.3505 Equiv.	EN 1.1191 Equiv.	Electroless Nickel Plating	EN 1.4301 Equiv.	-

Bearing Accuracy (Angular Contact Bearings) JIS B 1514 Class 4 * Contact Angle 15°

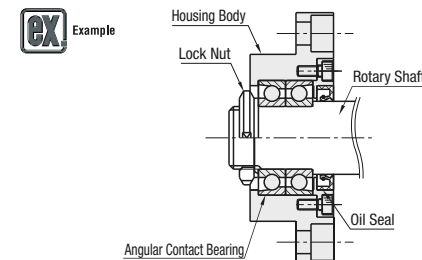
- The Angular Contact Bearings with Housings is delivered with the parts unassembled to the holder body.
- Make sure that bearing outer rings and inner rings are firmly fixed by the covers and bearing nuts before use.
- Contact with O-Ring may generate some friction.



Part Number	Type	Bearing No.	③ Cover Type Selection	L	d	Dh7	Tolerance	B	b2	H	D2	T	dh	D1g6	Tolerance	P.C.D.	d1	d2	H1
7002	N Standard	7002	N Standard	29	15	32	+0.025 0	9	20	75	48	12	28	50	-0.009 -0.025	62	11	6.6	6.5
7003		7003		31	17	35		10	22	92	58	15	36	60	-0.010 -0.029	75	14	9	8.5
7004		7004		36	20	42		12	26	98	63	18	41	65	98	106	-0.012 -0.034	116	17.5
7005	S Oil Seal	7005	S Oil Seal	40	30	55	+0.030 0	13	28	120	78	18	48	80	-0.012 -0.034	116	17.5	11	10.5
7006		7006		43	35	62		14	30	126	84	55	86	106					
7007		7007		46	40	68		15	32	140	92	60	95	122					
7008	R O-Ring	7008	R O-Ring	48	45	75	+0.030 0	16	34	145	98	20	69	100	-0.012 -0.034	122	17.5	11	10.5
7009		7009		50	50	80		16	34	147	101	74	105	122					
7010		7010		50	50	80		16	34	147	101	74	105	122					

No.	D	D2	dh	T1	T2	P.C.D.	d3	d4	t2	③ Cover Details										⑤ Cover Mounting Screw	④ Collar Details			
										N Standard Cover		S Oil Seal Cover				R O-Ring Cover					Accessory O-Ring	O.D.	I.D.	Thickness
										d5	S1	S2	St	Accessory Oil Seal	Ra	Rb	Rt	r						
7002	32	48	28	6	8	40	6.5	3.5	3.1	21	32	22	5	G20325	24	20	3.2	0.4	P20	M3-8	20	15	8.5	
7003	35	48	31	6	8	40	6.5	3.5	3.1	21	32	22	5	G20325	24	20	3.2	0.4	P20	M3-8	20	15	8.5	
7004	42	58	36	7	9	48	8	4.5	4.1	26	35	27	6	D25356	31	25	4.7	0.7	P25	M4-10	25	20	9.5	
7005	47	63	41	8	10	53	9.5	5.5	5.1	31	40	32	7	D30407	36	30	4.7	0.7	P30	M4-10	30	25	10.5	
7006	55	78	48	8	10	64	9.5	5.5	5.1	41	50	42	6.5	D40506.5	41	35	4.7	0.7	P35	M5-12	40	30	10.5	
7007	62	84	55	9	11	72	11	6.6	6.1	46	60	47	9	D45609	46	40	4.7	0.7	P40	M5-12	45	35	11.5	
7008	68	92	60	9	11	78	11	6.6	6.1	51	65	52	9	D50659	51	45	4.7	0.7	P45	M6-12	50	40	11.5	
7009	75	98	69	9	11	85	11	6.6	6.1	56	70	57	9	D55709	56	50	4.7	0.7	P50	M6-12	55	45	11.5	
7010	80	101	74	11	13	88	11	6.6	6.1	61	75	62	9	D60759	70	60	7.5	0.8	P60	M6-15	60	50	13.5	

Ordering Example	Part Number	Cover
Type	Bearing	
ABGE	7003	S



No.	ABGEB			ABGE		
	Cover N	Cover S	Cover R	Cover N	Cover S	Cover R
Unit Price	Unit Price	Unit Price	Unit Price	Unit Price	Unit Price	Unit Price
7002	1 pc.	2-4 pcs.	1 pc.	2-4 pcs.	1 pc.	2-4 pcs.
7003						
7004						
7005						
7006						
7007						
7008						
7009						
7010						

