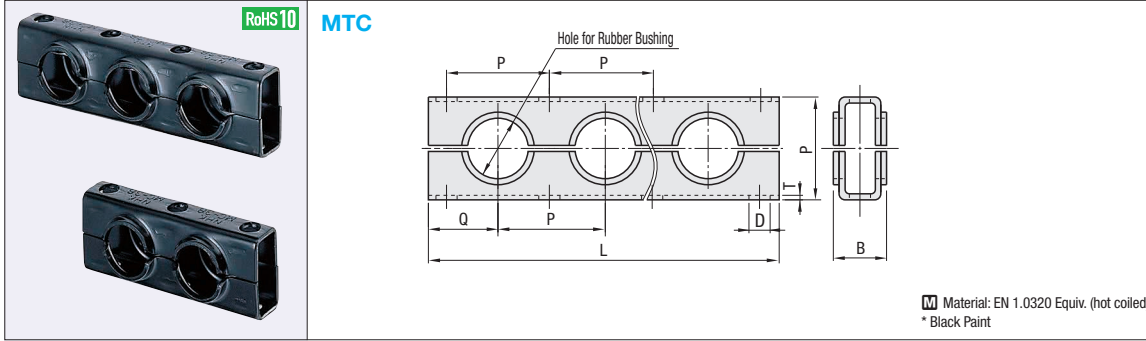


Multi Plumbing Clamps

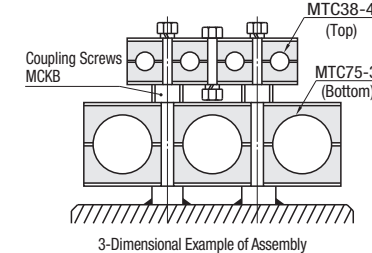
Accessories for Plumbing Clamps



Part Number Type	No.	N (Number of Holes) Selection	L	P	Q	B	D	T	Recommended Assembly Bolt (Coarse)		Unit Price 1-9 pc(s)	Volume Discount Rate 10-50
									One Stack	Two Stacks		
MTC	38	1	55	37.5	27.5	26	9	2.3	M8-50	M8-90		
		2	92.5									
		3	130									
		4	167.5									
		5	205									
	50	1	70	50	35	26	9	2.3	M8-65	M8-115		
		2	120									
		3	170									
		4	220									
		5	270									
	75	1	100	75	50	38	11	3.2	M10-90	M10-170		
		2	175									
3		250										
4		325										
5		400										
100	1	130	100	65	42	11	4	M10-120				
	2	230										

The Number of Possible Combinations

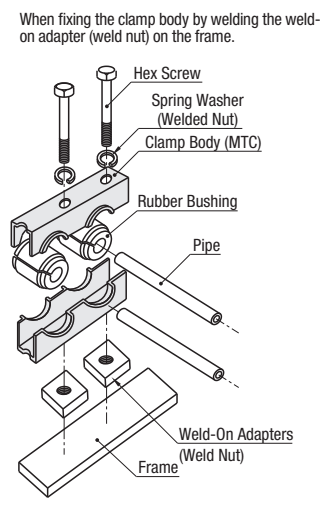
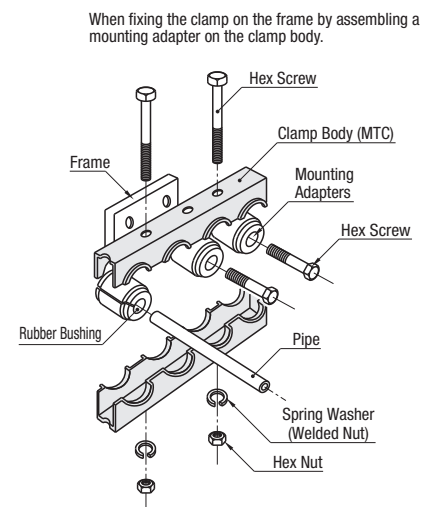
	Top	38	50	75	100
Bottom					
38		○	×	×	×
(MCKB)		38-8			
50		×	○	×	×
(MCKB)			50-8		
75		○	○	○	×
(MCKB)		75-8	75-8	75-10	
100		×	○	×	○
(MCKB)			100-8	100-10	



* Enable to assemble with recommended hex screws for assembling (2 Stacks).
 ○: Enable to assemble using coupling screws (MCKB).
 ×: Assembling is not possible.

L dimension of recommended bolts for assembling are for using weld-on adapters (MCWA) P.1290. Please be sure to confirm the length for each assembling method before use.

Ordering Example: Part Number MTC50 - N (Number of Holes) 4



Rubber Bushings

MCBR (For Inch Pipes)
MCBM (For Metric Pipes)

Material: Neoprene Rubber

Inch Pipe O.D. Nominal	mm
1/8	10.5
1/4	13.8
3/8	17.3
1/2	21.7
3/4	27.2
1	34.0
1 1/4	42.7
1 1/2	48.6
2	60.5

Mounting Adapters

MCMA

Material: Aluminum Alloy Diecast (EN AC-46100 Equiv.)

Coupling Screws

MCKB M1

Material: M-8 EN 1.1191 Equiv. M-10 EN 1.7220 Equiv. Surface Treatment: Trivalent Chromate

Weld-On Adapters

MCWA

Material: EN 1.0038 Equiv.

Part Number Type	No.	P=Applicable Pipe Dia. Selection (For Inch pipes, select numbers above)						L	L1	D	D1	Applicable Body No.										
		1	2	3	4	6	10															
MCBR (For Inch Pipes)	38	1 (1/8)	2 (1/4)	3 (3/8)				36	13.2	22.8	28.8	38										
	50	1 (1/8)	2 (1/4)	3 (3/8)	4 (1/2)	6 (3/4)		36	13.2	33.2	40.8	50										
	75			3 (3/8)	4 (1/2)	6 (3/4)	8 (1)	10 (1.1/4)	48	19.3	56	64.4	75									
	100					6 (3/4)	8 (1)	10 (1.1/4)	12 (1.1/2)	16 (2)	52	17.8	76	88	100							
MCBM (For Metric Pipes)	38	6	8	10	12	15	16	36	13.2	22.8	28.8	38										
	50	10	12	15	16	18	20	22	25	30	36	13.2	33.2	40.8	50							
	75	10	12	15	16	18	20	22	25	28	30	32	34	35	38	40	42	48	19.3	56	64.4	75
	100							28	30	32	35	38	40	42	50	52	17.8	76	88	100		

No.	P	MCBR (For Inch Pipes)		No.	P	MCBM (For Metric Pipes)		No.	P	MCBM (For Metric Pipes)	
		Unit Price	Volume Discount Rate			Unit Price	Volume Discount Rate			Unit Price	Volume Discount Rate
38	1			38	6			75	20		
	2				8				22		
	3				10				25		
50	1			50	12			100	28		
	2				15				30		
	3				16				32		
	4				18				34		
	5				10				35		
75	3			75	12			100	38		
	4				15				40		
	6				16				42		
	8				18				28		
	10				20				30		
	6				22				32		
100	8			100	22			100	35		
	10				25				38		
	12				30				40		
	10				12				42		
	16				15				16		

Part Number Type	No.	P	L	L1	D	D1	Applicable Body No.	Unit Price 1-9 pc(s)	Volume Discount Rate 10-50
50	8.5	32	13.3	31.2	40.8	50			
75	13	43	19.5	54	64.4	75			

Part Number Type	No.	M (Coarse)	S	T	B	M1 (Coarse)	Applicable Body No.	Unit Price 1-9 pc(s)	Volume Discount Rate 10-50
50	8	65	23	17	M8	50			
75	8	90	23	17	M10	75			
	10	90	33	17	M10	75			
	8	120	23	17	M10	100			
100	10	120	33	17	M10	100			

Part Number Type	No.	M (Coarse)	T	B	Applicable Body No.	Unit Price 1-9 pc(s)	Volume Discount Rate 10-50
50	M8	16	25	50			
75	M10	19	38	75			
100	M10	25	44	100			

Ordering Example: Part Number MCBM38 - P or M 10
 MCMA50 - 8
 MCKB100 - 8
 MCWA75